

NCV7755 Evaluation Board User's Manual

EVBUM2809/D

Overview

This document gives a detailed description of the NCV7755 Evaluation Board (SSOP-24 EPAD Package) with the bill of materials, board schematic, and a layout overview of the board. An example lab setup is also provided.

The NCV7755 Evaluation Board has been designed for quick evaluation of the NCV7755 octal high-side driver. This evaluation board has been constructed to easily interface with a user's systems and equipment through the various terminals and test points located throughout the board. The evaluation board has the option to integrate an Arduino Nano and be used with accompanying software so most capabilities of the NCV7755 can be realized in a convenient user-friendly manner.

This document should be used with the NCV7755 datasheet available on www.onsemi.com. The evaluation board follows the application diagram; however, the datasheet contains full technical details about the NCV7755 specification, features, timing, and other operations.

Features

- Test Points for Each Output
- Test Points for all Logic Pins
- Optional Onboard 5 V Regulator
- Option For Single Supply Use
- Reverse Polarity Protected
- Arduino Nano Integration
- Additional Demonstration Software

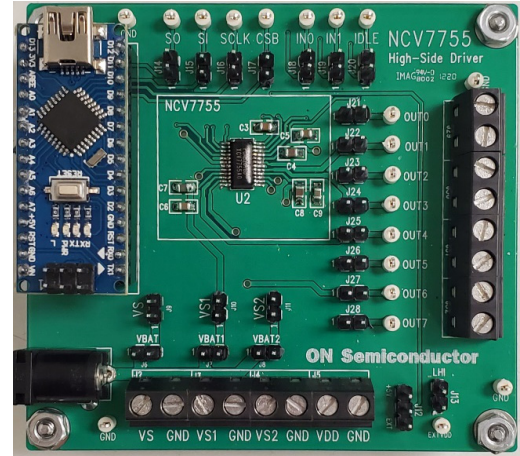


Figure 1. NCV7755 Evaluation Board

EVBUM2809/D

QTY	REFERENCE	DESCRIPTION	DIGI-KEY P/N	MANUFACTURER	MANUFACTURER P/N
5	R1,R2,R3,R4,R5	510 Ohms ±1% 0.125W, 1/8W Chip Resistor 0805 (2012 Metric) Automotive AEC-Q200 Thick Film	P510CCT-ND	Panasonic Electronic Components	ERJ-6ENF5100V
3	R6,R7,R8	4.7 kOhms ±1% 0.125W, 1/8W Chip Resistor 0805 (2012 Metric) Automotive AEC-Q200 Thick Film	P4.70KCT-ND	Panasonic Electronic Components	ERJ-6ENF4701V
1	R9	10 Ohms ±1% 0.125W, 1/8W Chip Resistor 0805 (2012 Metric) Automotive AEC-Q200 Thick Film	P10.0CCT-ND	Panasonic Electronic Components	ERJ-6ENF10R0V
1	R10	10 kOhms ±1% 0.125W, 1/8W Chip Resistor 0805 (2012 Metric) Automotive AEC-Q200 Thick Film	P10.0KCT-ND	Panasonic Electronic Components	ERJ-6ENF1002V
1	J1	Power Barrel Connector Jack 2.50mm ID (0.098"), 5.50mm OD (0.217") Through Hole, Right Angle	CP-102B-ND	CUI Devices	PJ-102B
8	J2,J3,J4,J5,J29,J30,J31,J32	2 Position Wire to Board Terminal Block Horizontal with Board 0.200" (5.08mm) Through Hole	277-6270-ND	Phoenix Contact	1985865
1	C1	0.33µF ±10% 50V Ceramic Capacitor X7R 0805 (2012 Metric)	490-8045-1-ND	Murata Electronics	GCM219R71H334KA55D
1	C2	1µF ±10% 16V Ceramic Capacitor X7R 0805 (2012 Metric)	1276-6471-1-ND	Samsung Electro-Mechanics	CL21B105KOFNNG
3	C4,C7,C8	10µF ±20% 50V Ceramic Capacitor X5R 0805 (2012 Metric)	490-18664-1-ND	Murata Electronics	GRM21BR61H106ME43L
4	C3,C5,C6,C9	0.1µF ±10% 50V Ceramic Capacitor X7R 0805 (2012 Metric) Automotive AEC-Q200	490-11955-1-ND	Murata Electronics	GCD21BR71H104KA01L
8	C10,C11,C12,C13,C14,C15,C16,C17	10000pF ±10% 50V Ceramic Capacitor X7R 0805 (2012 Metric) Automotive AEC-Q200	311-3174-1-ND	Yageo	AC0805KRX7R9BB103
1	Q1	Bipolar (BJT) Transistor NPN 40V 200mA 300MHz 300mW Surface Mount SOT-23-3 (TO-236)	SMMBT3904LT1GOSCT-ND	ON Semiconductor	SMMBT3904LT1G
20	TP1,TP2,TP3,TP4,TP5,TP6,TP7,TP8,TP9,TP10,TP11,TP12,TP13,TP14,TP15,TP16,TP17,TP18,TP19,TP20	White PC Test Point, Miniature Phosphor Bronze, Silver Plating 0.040" (1.02mm) Hole Diameter Mounting Type	36-5002-ND	Keystone Electronics	5002
22	J6,J7,J8,J9,J10,J11,J13,J14,J15,J16,J17,J18,J19,J20,J21,J22,J23,J24,J25,J26,J27,J28	Connector Header Through Hole 2 position 0.100" (2.54mm)	S1011EC-02-ND	Sullins Connector Solutions	PRPC002SAAN-RC
1	J12	Connector Header Through Hole 3 position 0.100" (2.54mm)	5-146280-3-ND	TE Connectivity AMP Connectors	5-146280-3
23	JP Shunts	2 (1 x 2) Position Shunt Connector Open Top, Grip 0.100"	S9341-ND	Sullins Connector Solutions	NPC02SXON-RC
1	U1	40PC Female pin headers for Arduino Nano	HDR100IMP40F-G-V-TH-ND	Chip Quik Inc.	HDR100IMP40F-G-V-TH
1	U2	Octal High Side Driver		ON Semiconductor	NCV7755
1	U3	Linear Voltage Regulator IC Positive Fixed 1 Output 1A DPAK	MC7805BDTGOS-ND	ON Semiconductor	MC7805BDTG
2	D1,D2	Diode Schottky 50V 2A Surface Mount DO-214AA (SMB)	SS25CT-ND	ON Semiconductor	SS25
4	Hex Stand Off	Hex Standoff Threaded #4-40 Aluminum 0.750" (19.05mm) 3/4"	36-8403-ND	Keystone Electronics	8403
4	Stand Off Screw	#4-40 Hex Nut 0.250" (6.35mm) 1/4" Steel	36-9600-ND	Keystone Electronics	9600

Figure 2. Bill of Materials

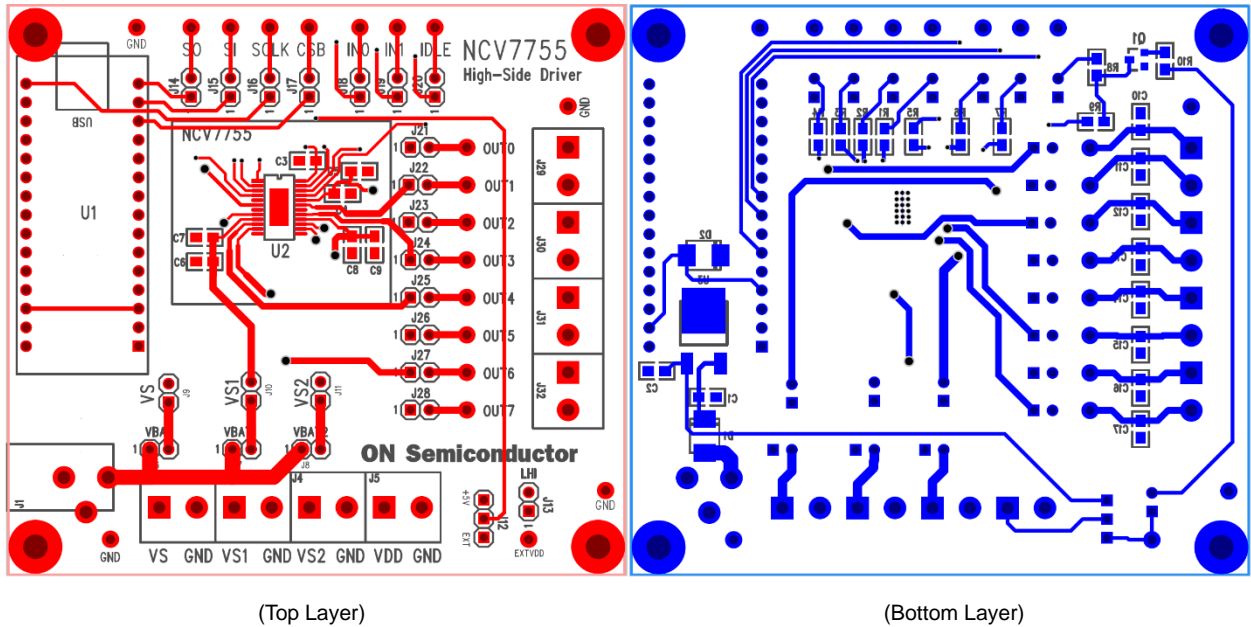


Figure 3. Layout

EVBUM2809/D

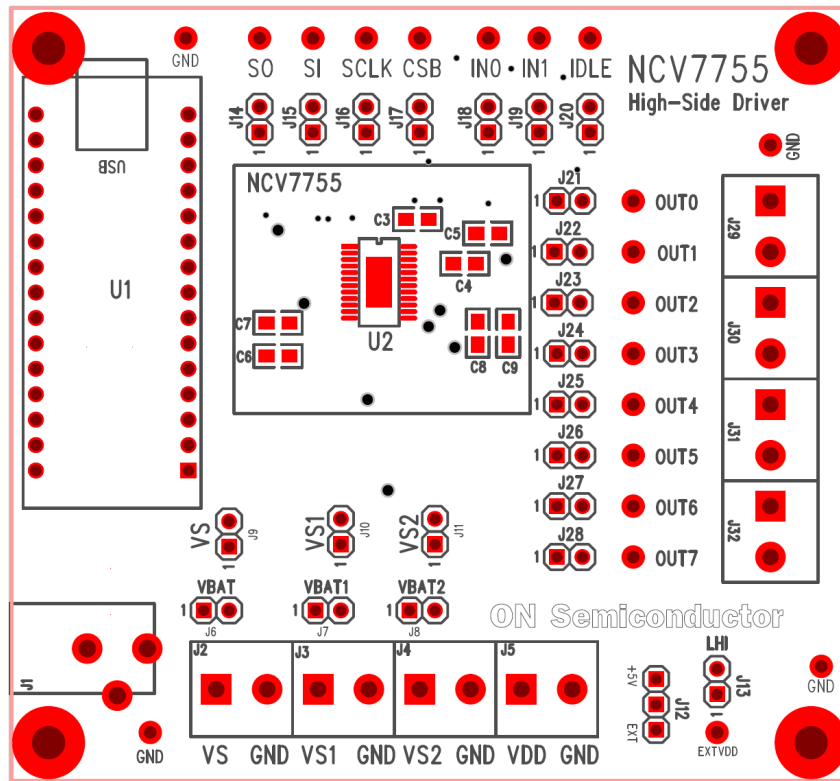


Figure 4. Layout No Traces

Table 1. JUMPER DEFINITIONS

VBAT, VBAT1, VBAT2	Used to connect supply inputs, also connects input to On-Board 5 V regulator. At least 1 must be shorted for 5 V regulator to be on.
VS, VS1, VS2	Used to connects the respectively named supply input to the NCV7755 itself.
J12	Used to select where VDD shall come from. Middle terminal connects to NCV7755 and VDD screw terminal. Remove if using screw terminal to input a VDD voltage.
J13	Used exclusively with the EXTVDD test point to control a transistor that will pull IDLE pin low if 5 V is inputted into EXTVDD when this jumper is shorted.
J14-J20	Used to connect U1 to the NCV7755 for SPI communication. Should be removed if using external MCU.
J21-J28	Used to connect the NCV7755 to the respective screw terminal output, to the right in Figure 4.

EVBUM2809/D

INSTRUCTIONS One Supply Setup

Power Supply

The NCV7755EVB requires at least one external power supply if VBAT jumpers are in.

By default the jumpers are in and each power supply input are linked together.

At least 1 VBAT jumper must shorted to have the 5 V regulator on.

User should begin by shorting all the jumpers other than J13 and have J12 shorted to the middle pin and the 5 V pin. Connect a 4–18 VDC power supply to one of the VS screw terminals and ground. The NCV7755 will now be powered. The user can attach their load to the evaluation board by using the screw terminals on the right of the board. The screw terminal outputs are labelled for each output.

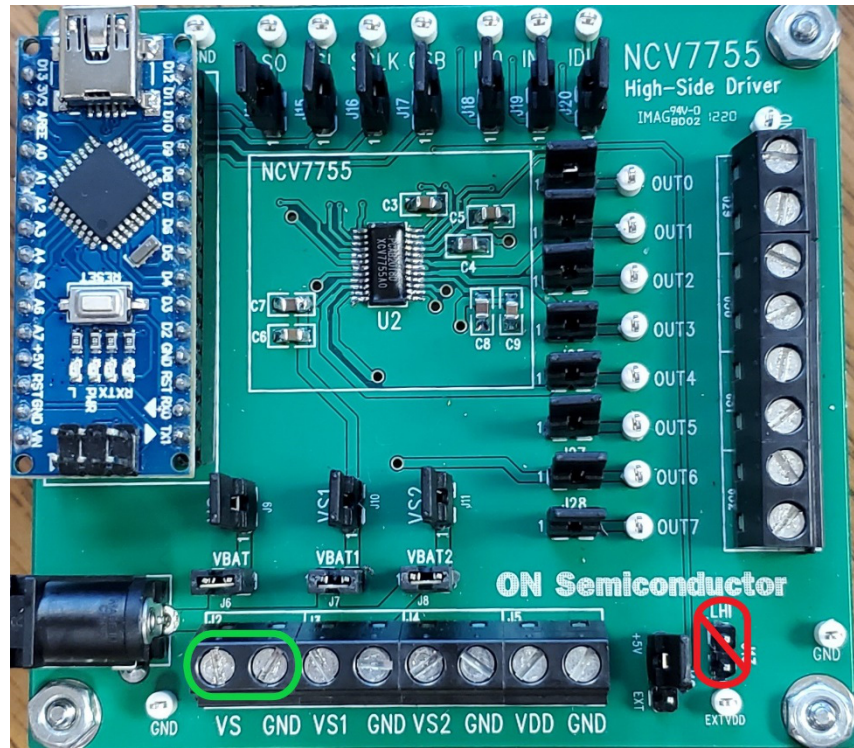


Figure 5. Board with Jumpers Indicated

Operation with Arduino Nano

The evaluation board has a location, U1, with female headers that gives the option for a user to put an Arduino Nano into the evaluation board. With the proper jumpers and programming the Arduino Nano will communicate with the NCV7755 via SPI communication and has PWM control for logic pins, IN0, IN1, and IDLE. With the Arduino the user has the option of using the Evaluation Board Demonstration Software.

Using the provided software gives the user an interface with easy manual control of the NCV7755 and the internal registers it has. The software gives the user a way to test the many different functions the NCV7755 contains.

Operation without Arduino Nano

The evaluation board can be operated without the Arduino using the test points at the top of the board. In the case that Arduino is still in the evaluation board the user should remove the jumpers for J14–J20 to disconnect the Arduino from the NCV7755. The user can now connect their MCU to the NCV7755 through the SO, SI, SCLK, CSB test points and the IN0, IN1, and IDLE test points. These test points directly connect to the NCV7755 and provide a way for an external MCU to be used to control the IC.

EVBUM2809/D

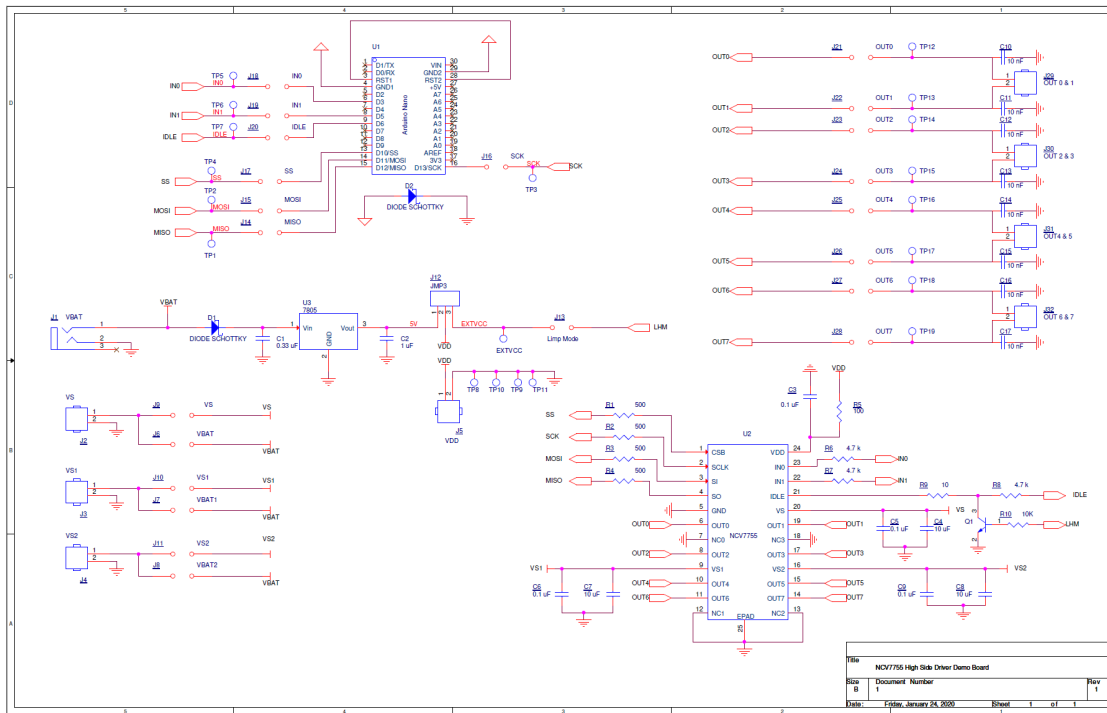


Figure 6. Evaluation Board Schematic

All brand names and product names appearing in this document are registered trademarks or trademarks of their respective holders.

onsemi, **Onsemi**, and other names, marks, and brands are registered and/or common law trademarks of Semiconductor Components Industries, LLC dba "**onsemi**" or its affiliates and/or subsidiaries in the United States and/or other countries. **onsemi** owns the rights to a number of patents, trademarks, copyrights, trade secrets, and other intellectual property. A listing of **onsemi**'s product/patent coverage may be accessed at www.onsemi.com/site/pdf/Patent-Marking.pdf. **onsemi** is an Equal Opportunity/Affirmative Action Employer. This literature is subject to all applicable copyright laws and is not for resale in any manner.

The evaluation board/kit (research and development board/kit) (hereinafter the "board") is not a finished product and is not available for sale to consumers. The board is only intended for research, development, demonstration and evaluation purposes and will only be used in laboratory/development areas by persons with an engineering/technical training and familiar with the risks associated with handling electrical/mechanical components, systems and subsystems. This person assumes full responsibility/liability for proper and safe handling. Any other use, resale or redistribution for any other purpose is strictly prohibited.

THE BOARD IS PROVIDED BY ONSEMI TO YOU "AS IS" AND WITHOUT ANY REPRESENTATIONS OR WARRANTIES WHATSOEVER. WITHOUT LIMITING THE FOREGOING, ONSEMI (AND ITS LICENSORS/SUPPLIERS) HEREBY DISCLAIMS ANY AND ALL REPRESENTATIONS AND WARRANTIES IN RELATION TO THE BOARD, ANY MODIFICATIONS, OR THIS AGREEMENT, WHETHER EXPRESS, IMPLIED, STATUTORY OR OTHERWISE, INCLUDING WITHOUT LIMITATION ANY AND ALL REPRESENTATIONS AND WARRANTIES OF MERCHANTABILITY, FITNESS FOR A PARTICULAR PURPOSE, TITLE, NON-INFRINGEMENT, AND THOSE ARISING FROM A COURSE OF DEALING, TRADE USAGE, TRADE CUSTOM OR TRADE PRACTICE.

onsemi reserves the right to make changes without further notice to any board.

You are responsible for determining whether the board will be suitable for your intended use or application or will achieve your intended results. Prior to using or distributing any systems that have been evaluated, designed or tested using the board, you agree to test and validate your design to confirm the functionality for your application. Any technical, applications or design information or advice, quality characterization, reliability data or other services provided by **onsemi** shall not constitute any representation or warranty by **onsemi**, and no additional obligations or liabilities shall arise from **onsemi** having provided such information or services.

onsemi products including the boards are not designed, intended, or authorized for use in life support systems, or any FDA Class 3 medical devices or medical devices with a similar or equivalent classification in a foreign jurisdiction, or any devices intended for implantation in the human body. You agree to indemnify, defend and hold harmless **onsemi**, its directors, officers, employees, representatives, agents, subsidiaries, affiliates, distributors, and assigns, against any and all liabilities, losses, costs, damages, judgments, and expenses, arising out of any claim, demand, investigation, lawsuit, regulatory action or cause of action arising out of or associated with any unauthorized use, even if such claim alleges that **onsemi** was negligent regarding the design or manufacture of any products and/or the board.

This evaluation board/kit does not fall within the scope of the European Union directives regarding electromagnetic compatibility, restricted substances (RoHS), recycling (WEEE), FCC, CE or UL, and may not meet the technical requirements of these or other related directives.

FCC WARNING – This evaluation board/kit is intended for use for engineering development, demonstration, or evaluation purposes only and is not considered by **onsemi** to be a finished end product fit for general consumer use. It may generate, use, or radiate radio frequency energy and has not been tested for compliance with the limits of computing devices pursuant to part 15 of FCC rules, which are designed to provide reasonable protection against radio frequency interference. Operation of this equipment may cause interference with radio communications, in which case the user shall be responsible, at its expense, to take whatever measures may be required to correct this interference.

onsemi does not convey any license under its patent rights nor the rights of others.

LIMITATIONS OF LIABILITY: **onsemi** shall not be liable for any special, consequential, incidental, indirect or punitive damages, including, but not limited to the costs of requalification, delay, loss of profits or goodwill, arising out of or in connection with the board, even if **onsemi** is advised of the possibility of such damages. In no event shall **onsemi**'s aggregate liability from any obligation arising out of or in connection with the board, under any theory of liability, exceed the purchase price paid for the board, if any.

The board is provided to you subject to the license and other terms per **onsemi**'s standard terms and conditions of sale. For more information and documentation, please visit www.onsemi.com.

PUBLICATION ORDERING INFORMATION

LITERATURE FULFILLMENT:

Email Requests to: orderlit@onsemi.com

onsemi Website: www.onsemi.com

TECHNICAL SUPPORT

North American Technical Support:

Voice Mail: 1 800-282-9855 Toll Free USA/Canada

Phone: 011 421 33 790 2910

Europe, Middle East and Africa Technical Support:

Phone: 00421 33 790 2910

For additional information, please contact your local Sales Representative