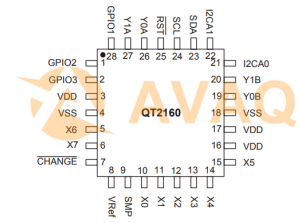


Capacitive Touch Screen 16 Key 28-Pin VQFN EP

Manufacturer:	Microchip Technology, Inc
Package/Case:	QFN28
Product Type:	Drivers
RoHS:	RoHS Compliant/Lead free
Lifecycle:	Unconfirmed

Pinout Description



Images are for reference only

Inquiry

General Description

Small control panel processor for battery-driven consumer devices such as mobile phones, personal media players, PDAs, digital picture frames, and other mobile appliances. The device includes 16 touch channels, a slider using two to eight channels plus LED control, I/O expansion, and a two-wire serial interface compatible to the industry-standard I2C bus. Based on Microchip QMatrix™ and QSlide technologies, it has very low power requirements and provides a very wide range of host-programmable input/output configurations.

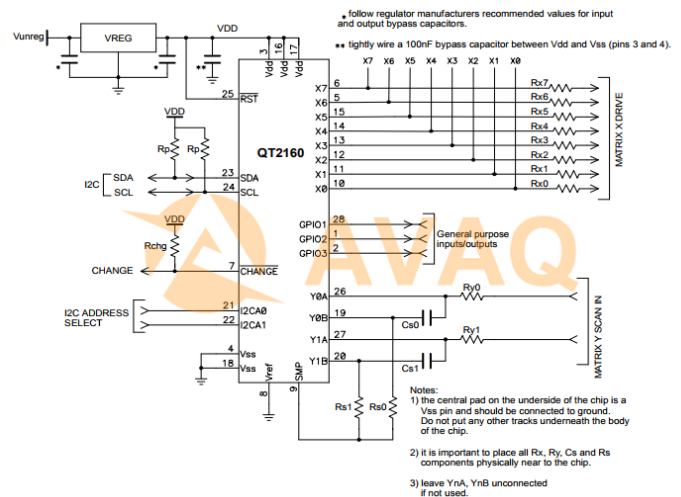
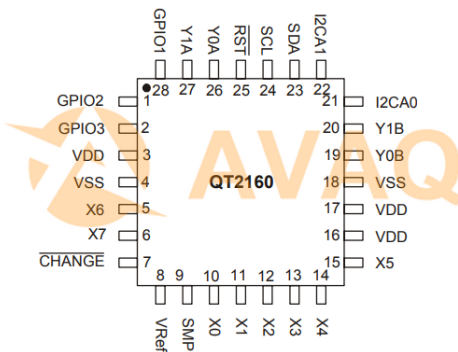
Key Features

Patented spread-spectrum charge-transfer technology (transverse mode)

Adjacent Key Suppression® (AKS®) technology

Moisture tolerance

Pinout Description



Recommended For You

AT42QT1070-SSUR

Microchip Technology, Inc
SOP14

AT42QT2120-MMH

Microchip Technology, Inc
VQFN20

AT42QT1011-MAH

Microchip Technology, Inc
UDFN-8

AT42QT1110-MU

Microchip Technology, Inc
QFN

AT42QT2120-XU

Microchip Technology, Inc
20LTSSOP

AT42QT1110-AU

Microchip Technology, Inc
QFP

AT42QT1060-MMU

Microchip Technology, Inc
QFN-28

AT42QT2161-MMU

Microchip Technology, Inc
QFN

AT42QT1110-MUR

Microchip Technology, Inc
QFN32

QT60240-ATG

Microchip Technology, Inc
QFP

AT42QT1244-MUR

Microchip Technology, Inc
VQFN

AT42QT1481-AN

Microchip Technology, Inc
TQFP-44

AT42QT1481-ANR

Microchip Technology, Inc
TQFP

AT42QT1085-AU

Microchip Technology, Inc
TQFP7x7

AT42QT1085-MU

Microchip Technology, Inc
VQFN5x5