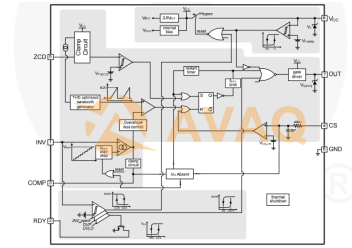


Power Factor Correction Controller 0.12mA 350kHz 8-Pin SOIC Rail

Manufacturer:	ON Semiconductor, LLC
Package/Case:	8SOIC
Product Type:	Power Management ICs
RoHS:	RoHS Compliant/Lead free
Lifecycle:	Obsolete



Images are for reference only

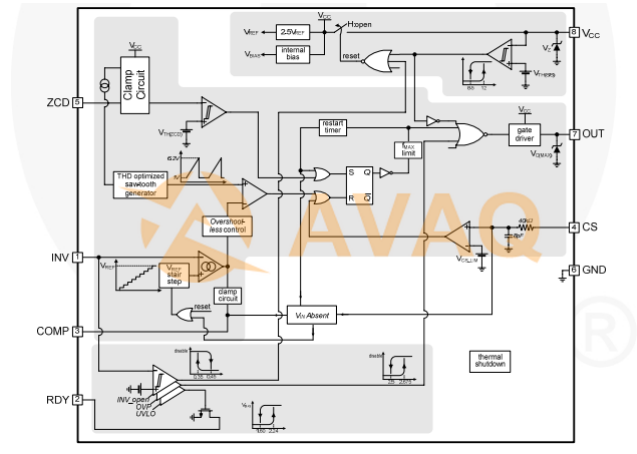
[Inquiry](#)

General Description

Avaq Semiconductor offers the highly versatile and reliable FAN7930M driver, produced by ON Semiconductor, LLC. With its multifunctional and high-performance capabilities, this component is an excellent choice for a wide range of electronic projects.

To ensure that you have all the necessary information to make the most of this component, Avaq provides a free datasheet PDF, as well as circuit diagrams, pin layouts, pin details, pin voltage ratings, and equivalent components for the FAN7930M.

Avaq also offers free samples. Simply fill out and submit the sample request form to receive your free samples for testing. If you have any questions, please feel free to contact us at ar



Recommended For You

FAN9611MX ON Semiconductor, LLC SOP16	FAN3111ESX ON Semiconductor, LLC SOT23-5	FAN6300AMY ON Semiconductor, LLC SOP-8
FAN7842MX ON Semiconductor, LLC SOP8	FAN73933MX ON Semiconductor, LLC SOIC-14	FAN73895MX ON Semiconductor, LLC SOP-28
FAN7380MX ON Semiconductor, LLC SOP8	FAN4810N ON Semiconductor, LLC DIP16	FAN7527BN ON Semiconductor, LLC DIP-8

FAN7530MX

ON Semiconductor, LLC

SOP-8

FAN7529MX

ON Semiconductor, LLC

SOP-8

FAN5405UCX

ON Semiconductor, LLC

WLCSP-20

FAN7382MX

ON Semiconductor, LLC

SOP-8

FAN73711MX

ON Semiconductor, LLC

SOP8

FAN7392N

ON Semiconductor, LLC

DIP-14