


## SLIC 1-CH 60dB 3.3V/5V 16-Pin SOIC EP

<b>Manufacturer:</b>	<a href="#">Skyworks Solutions, Inc</a>
<b>Package/Case:</b>	SOP16
<b>Product Type:</b>	Communication & Networking ICs
<b>RoHS:</b>	RoHS Compliant/Lead free 
<b>Lifecycle:</b>	Obsolete



Images are for reference only

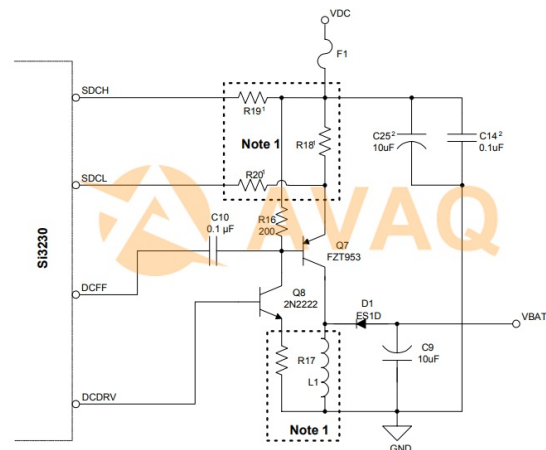
[Inquiry](#)

### General Description

Avaq Semiconductor offers the highly versatile and reliable Si3201-KS driver, produced by Skyworks Solutions, Inc. With its multifunctional and high-performance capabilities, this component is an excellent choice for a wide range of electronic projects.

To ensure that you have all the necessary information to make the most of this component, Avaq provides a free datasheet PDF, as well as circuit diagrams, pin layouts, pin details, pin voltage ratings, and equivalent components for the Si3201-KS.

Avaq also offers free samples. Simply fill out and submit the sample request form to receive your free samples for testing. If you have any questions, please feel free to contact us at ar



### Recommended For You

#### Si3210-GT

Skyworks Solutions, Inc  
TSSOP38

#### Si8400AB-B-IS

Skyworks Solutions, Inc  
SOP8

#### Si3210-KT

Skyworks Solutions, Inc  
TSSOP38

**SI3016-F-FS**

Skyworks Solutions, Inc

SOP16

**SI3220-GQ**

Skyworks Solutions, Inc

QFP

**SI3200-CS**

Skyworks Solutions, Inc

SOP16

**Si8621AB-B-ISR**

Skyworks Solutions, Inc

SOP8

**Si8663ED-B-IS**

Skyworks Solutions, Inc

SOP16

**Si3201-CS**

Skyworks Solutions, Inc

SOP16

**Si8631AB-B-ISIR**

Skyworks Solutions, Inc

SOP16

**Si3201-FS**

Skyworks Solutions, Inc

SOP16

**SI3210M-FT**

Skyworks Solutions, Inc

TSSOP38

**Si8431AB-D-IS**

Skyworks Solutions, Inc

SOP16

**SI3210-FT**

Skyworks Solutions, Inc

TSSOP38

**Si8422BB-D-IS**

Skyworks Solutions, Inc

SOP8