

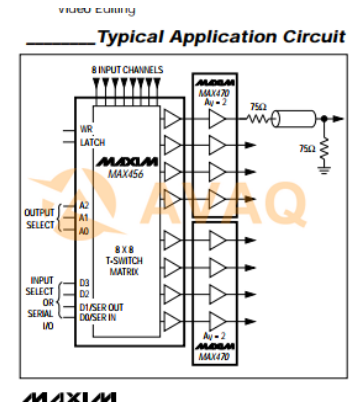
Analog Video 35MHz 8 x 8 40-Pin PDIP W

Manufacturer: [Maxim Integrated](#)

Package/Case: PDIP

Product Type: Switches

Lifecycle: Obsolete



Images are for reference only

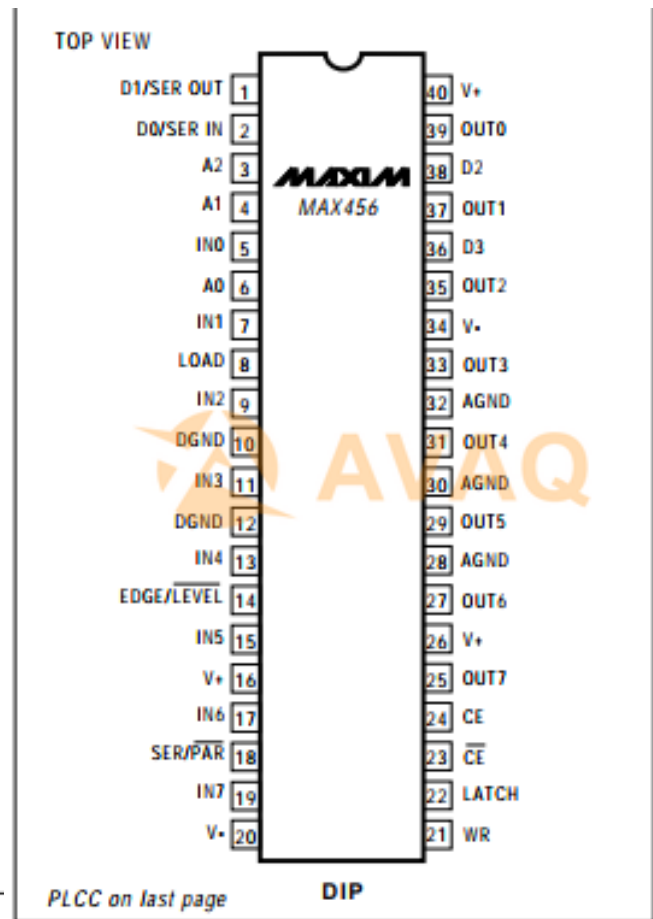
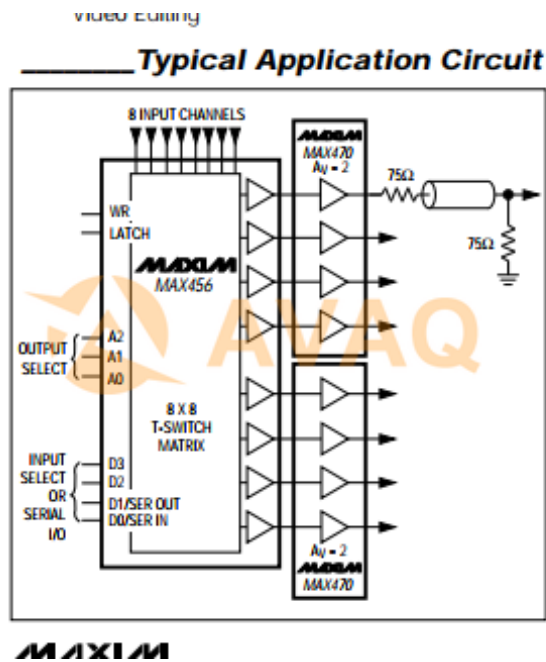
[Inquiry](#)

General Description

The MAX456 is the first monolithic CMOS 8 x 8 video crosspoint switch that significantly reduces component count, board space, and cost. The crosspoint switch contains a digitally controlled matrix of 64 T-switches that connect eight video input signals to any, or all, output channels. Each matrix output connects to eight internal, high-speed (250V/μs), unity-gain-stable buffers capable of driving 400Ω and 20pF to ±1.3V. For applications requiring increased drive capability, the MAX456 outputs can be connected directly to two MAX470 quad, gain-of-two video buffers, which are capable of driving 75Ω loads.

Applications

- Video Test Equipment
- Video Security Systems
- Video Editing



Recommended For You

MAX456CPL

Maxim Integrated

DIP

MAX4456CQH-D

Maxim Integrated

DC

MAX4989EID-T

Maxim Integrated

DFN14

MAX459CQH

Maxim Integrated

PLCC

MAX4456CQH

Maxim Integrated

PLCC

MAX458CPL

Maxim Integrated

DIP

MAX470CPE

Maxim Integrated

DIP16

MAX4121CSA

Maxim Integrated

SOP8

MAX4456CPL+

Maxim Integrated

DIP

MAX4456EQH

Maxim Integrated

PLCC44

MAX4355ECQ+

Maxim Integrated

QFN

MAX456CPL+

Maxim Integrated

DIP40

MAX4570CAI

Maxim Integrated

SSOP

MAX4937CTN+

Maxim Integrated

56-WFQFN

MAX14640ETA+T

Maxim Integrated

QFN