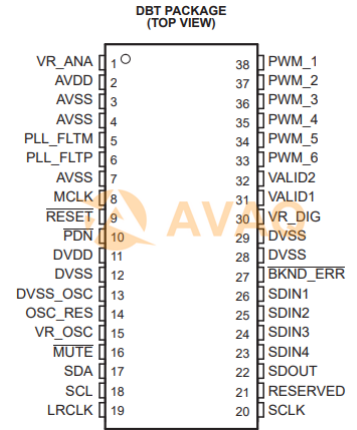


## Audio Processor 6-IN 6-OUT 38-Pin TSSOP

<b>Manufacturer:</b>	Texas Instruments, Inc
<b>Package/Case:</b>	TSSOP38
<b>Product Type:</b>	Embedded Processors & Controllers
<b>RoHS:</b>	RoHS Compliant/Lead free
<b>Lifecycle:</b>	Active



Images are for reference only

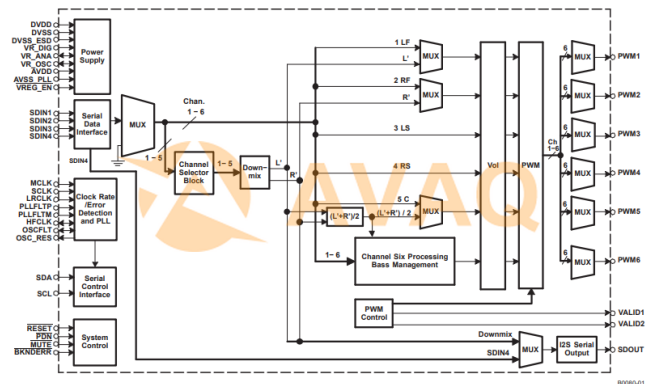
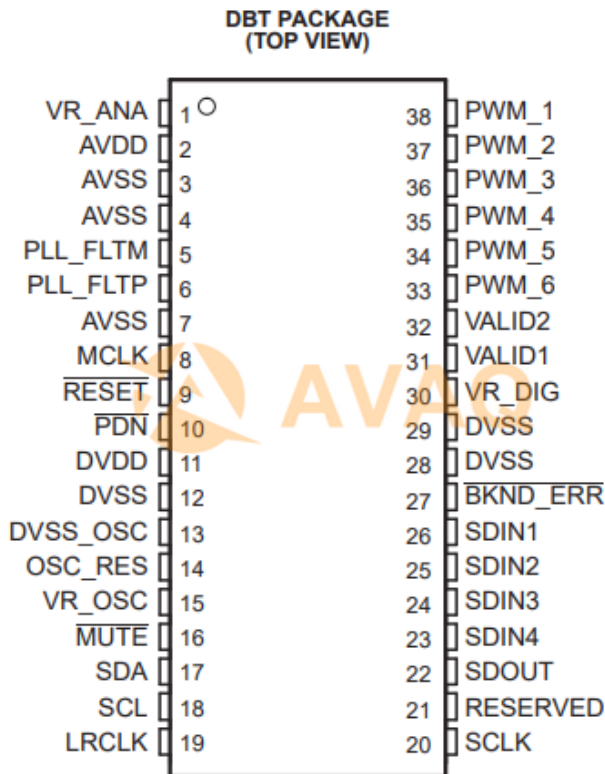
[Inquiry](#)

## General Description

Avaq Semiconductor offers the highly versatile and reliable TAS5086DBTR driver, produced by Texas Instruments, Inc. With its multifunctional and high-performance capabilities, this component is an excellent choice for a wide range of electronic projects.

To ensure that you have all the necessary information to make the most of this component, Avaq provides a free datasheet PDF, as well as circuit diagrams, pin layouts, pin details, pin voltage ratings, and equivalent components for the TAS5086DBTR.

Avaq also offers free samples. Simply fill out and submit the sample request form to receive your free samples for testing. If you have any questions, please feel free to contact us at ar



## Recommended For You

---

**TAS5142DKD**

Texas Instruments, Inc  
HSSOP36

**TAS5717PHPR**

Texas Instruments, Inc  
HTQFP48

**TAS5411QPWPRQ1**

Texas Instruments, Inc  
HTSSOP16

**TAS5342ADDVR**

Texas Instruments, Inc  
HTSSOP44

**TAS5707PHPR**

Texas Instruments, Inc  
HTQFP48

**TAS5760MDAPR**

Texas Instruments, Inc  
HTSSOP32

**TAS5760MDCAR**

Texas Instruments, Inc  
HTSSOP48

**TAS5414CTPHDRQ1**

Texas Instruments, Inc  
HTQFP-64

**TAS2505IRGET**

Texas Instruments, Inc  
VQFN24

**TAS2505IRGER**

Texas Instruments, Inc  
VQFN-24

**TAS3004PFB**

Texas Instruments, Inc  
QFP

**TAS3004PFBR**

Texas Instruments, Inc  
TQFP-48

**TAS5076PFC**

Texas Instruments, Inc  
QFP

**TAS3108DCP**

Texas Instruments, Inc  
HTSSOP38

**TAS2557YZR**

Texas Instruments, Inc  
DSBGA42