
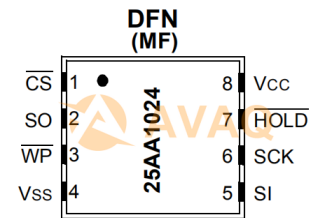


EEPROM Serial-SPI 1M-bit 128K x 8 2.5V/3.3V/5V Automotive 8-Pin DFN-S EP T/R

Manufacturer:	Microchip Technology, Inc
Package/Case:	DFN-8
Product Type:	Memory
RoHS:	RoHS Compliant/Lead free 
Lifecycle:	Active



Images are for reference only

[Inquiry](#)

General Description

The Microchip 25AA1024 is a 1 Mb Serial EEPROM utilizing the industry standard Serial Peripheral Interface (SPI) compatible serial bus. The device is organized as one block of 128K x 8-bit and is optimized for use in consumer electronics, industrial, medical, and automotive applications where reliable and dependable nonvolatile memory storage is essential. Software write protection allows the user to protect 1/4, 1/2, or the entire memory array. A hardware write protect pin is also provided, which additionally protects against inadvertent writes to the status register. The EEPROM is available in a variety of space-saving packaging options.

Key Features

128K x 8-bit (1 Mbit)

Supports SPI modes 0 and 3

Up to 20 MHz clock frequency

Self-Timed Erase and Write Cycles (6 ms max.)

Read current: 10 mA (Max) at 20 MHz

Write current: 7mA (Max) at 5.5V

Deep power-down current: 1 μ A (Max) at 2.5 V

Block Write Protection: Protect 1/4, 1/2 or Entire Array

More than 1 million erase/write cycles

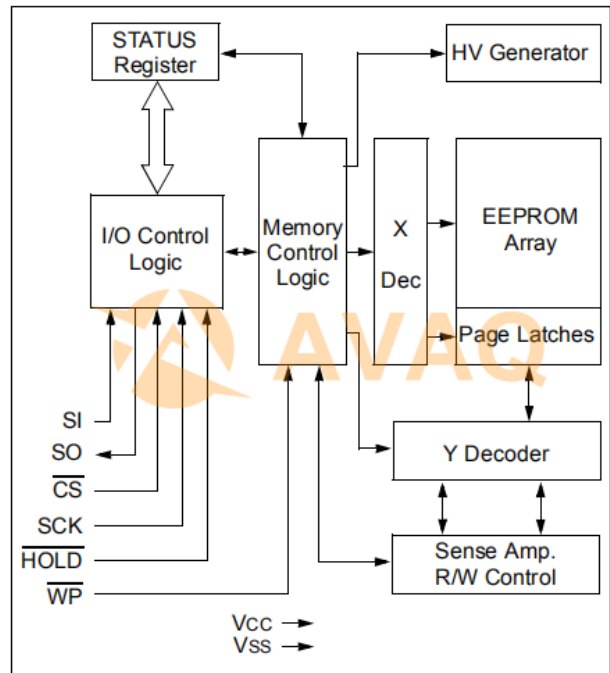
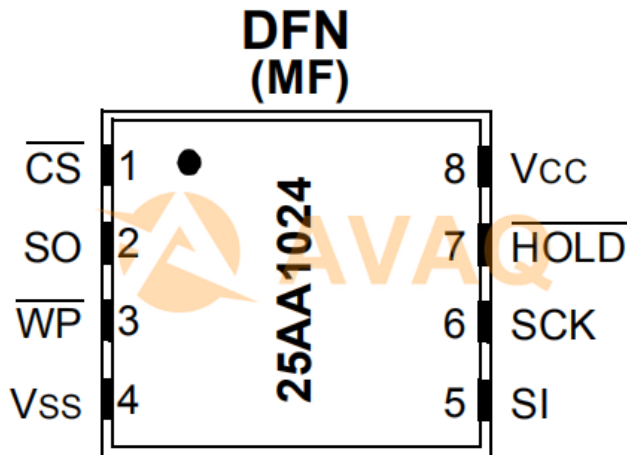
Data retention > 200 years

Industrial (I): -40°C to 85°C

Automotive AECQ-100 Qualified1

Factory Programming Available

Available in standard packages including 8-lead PDIP and SOIJ, and advanced package 8-lead 5x6 DFN



Recommended For You

SST25VF080B-50-4C-S2AF

Microchip Technology, Inc

SOP8

AT25256B-SSHL-T

Microchip Technology, Inc

SOP8

AT24C256C-SSHL-T

Microchip Technology, Inc

SOP8

AT25040B-SSHL-B

Microchip Technology, Inc

SOP-8

AT25128B-SSPDGV-T

Microchip Technology, Inc

SOP8

23K256-I/SN

Microchip Technology, Inc

SOP8

AT27C256R-70JU

Microchip Technology, Inc

PLCC32

25AA1024-I/SM

Microchip Technology, Inc

SOP8

AT25320B-SSHL-T

Microchip Technology, Inc

SOP8

AT25512N-SH-T

Microchip Technology, Inc

SOP8

25LC1024-I/SM

Microchip Technology, Inc

SOP8

25AA256T-I/SN

Microchip Technology, Inc

SOP8

25LC640A-I/SN

Microchip Technology, Inc

SOP8

AT25640B-SSHL-T

Microchip Technology, Inc

SOP8

25LC512-I/SN

Microchip Technology, Inc

SOP8