
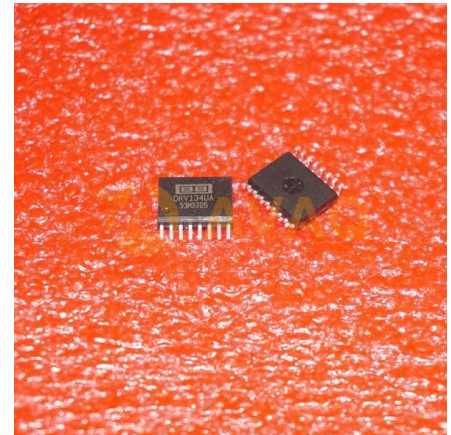


SP Amp Line Driver Amp Single $\pm 18V$ 16-Pin SOIC Tube

Manufacturer:	Texas Instruments, Inc
Package/Case:	SOP16
Product Type:	Amplifier ICs
RoHS:	RoHS Compliant/Lead free 
Lifecycle:	Active



Images are for reference only

[Inquiry](#)

General Description

The DRV134 and DRV135 are differential output amplifiers that convert a single-ended input to a balanced output pair. These balanced audio drivers consist of high performance op amps with on-chip precision resistors. They are fully specified for high performance audio applications and have excellent ac specifications, including low distortion (0.0005% at 1 kHz) and high slew rate (15 V/ μ s).

The on-chip resistors are laser-trimmed for accurate gain and optimum output common-mode rejection. Wide output voltage swing and high output drive capability allow use in a wide variety of demanding applications. They easily drive the large capacitive loads associated with long audio cables. Used in combination with the INA134 or INA137 differential receivers, they offer a complete solution for transmitting analog audio signals without degradation.

The DRV134 is available in 8-pin DIP and SOL-16 surface-mount packages. The DRV135 comes in a space-saving SO-8 surface-mount package. Both are specified for operation over the extended industrial temperature range, -40°C to $+85^{\circ}\text{C}$ and operate from -55°C to $+125^{\circ}\text{C}$.

Key Features

Balanced Output

Low Distortion: 0.0005% at $f = 1$ kHz

Wide Output Swing: 17Vrms into 600 Ω

High Capacitive Load Drive

High Slew Rate: 15 V/ μ s

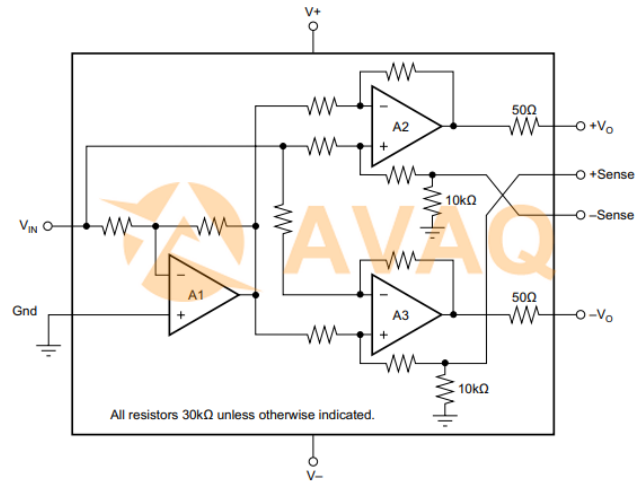
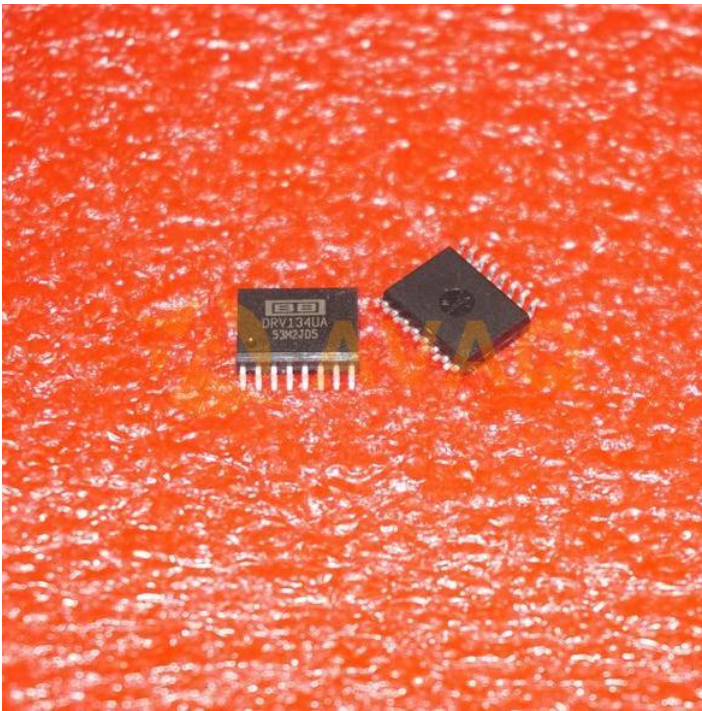
Wide Supply Range: ± 4.5 V to ± 18 V

Low Quiescent Current: ± 5.2 mA

8-Pin DIP, SO-8, and SOL-16 Packages

Companion to Audio Differential Line Receivers: INA134 and INA137

Improved Replacement for SSM2142



Recommended For You

LM833DR

Texas Instruments, Inc

SOP-8

TPA6111A2DR

Texas Instruments, Inc

SOP8

TAS5414CTPHDRQ1

Texas Instruments, Inc

HTQFP-64

OPA1642AIDR

Texas Instruments, Inc

SOP8

OPA1622IDRCR

Texas Instruments, Inc

VSON10

OPA1622IDRCT

Texas Instruments, Inc

VSON10

OPA1612AIDRGR

Texas Instruments, Inc

SON8

TPA301DR

Texas Instruments, Inc

SOP8

TPA2005D1DRBR

Texas Instruments, Inc

SON8

RC4580IDR

Texas Instruments, Inc

SOP8

DRV603PW

Texas Instruments, Inc

TSSOP14

DRV135UA/2K5

Texas Instruments, Inc

SOP-8

TAS5630BDKDR

Texas Instruments, Inc

HSSOP44

OPA1632DR

Texas Instruments, Inc

SOP8

TAS6584QPHDRQ1

Texas Instruments, Inc

HTQFP-64