

Trans IGBT Chip N-CH 1350V 40A 310mW 3-Pin(3+Tab) TO-247 Tube

Manufacturer:	Infinion Technologies Corporation
Package/Case:	TO-247
Product Type:	Thyristors
RoHS:	RoHS Compliant/Lead free
Lifecycle:	Obsolete

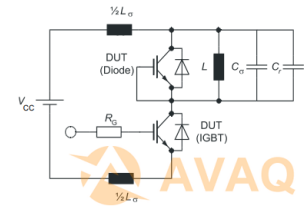


Figure E. Dynamic test circuit
Parasitic inductance L_{σ} ,
parasitic capacitor C_{σ} ,
relief capacitor C_r ,
(only for ZVT switching)

Images are for reference only

Inquiry

General Description

Avaq Semiconductor offers the highly versatile and reliable IHW20N135R3 driver, produced by Infineon Technologies Corporation. With its multifunctional and high-performance capabilities, this component is an excellent choice for a wide range of electronic projects.

To ensure that you have all the necessary information to make the most of this component, Avaq provides a free datasheet PDF, as well as circuit diagrams, pin layouts, pin details, pin voltage ratings, and equivalent components for the IHW20N135R3.

Avaq also offers free samples. Simply fill out and submit the sample request form to receive your free samples for testing. If you have any questions, please feel free to contact us at ar

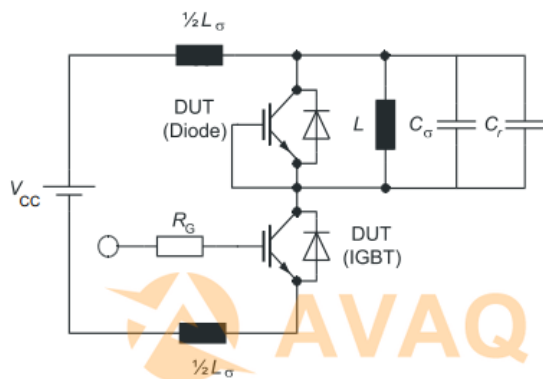
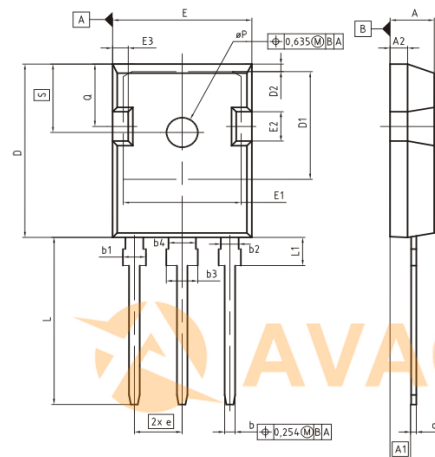


Figure E. Dynamic test circuit
Parasitic inductance L_{σ} ,
parasitic capacitor C_{σ} ,
relief capacitor C_r ,
(only for ZVT switching)

PG-TO247-3



DIM	MILLIMETERS		INCHES	
	MIN	MAX	MIN	MAX
A	4.83	5.21	0.190	0.205
A1	2.27	2.54	0.089	0.100
A2	1.85	2.16	0.073	0.085
B	1.07	1.53	0.042	0.062
b1	1.90	2.41	0.075	0.095
b2	1.90	2.16	0.075	0.085
b3	2.97	3.58	0.113	0.133
b4	2.97	3.13	0.113	0.123
c	0.55	0.68	0.022	0.027
D	20.95	21.10	0.819	0.831
D1	16.25	17.65	0.640	0.695
D2	0.95	1.35	0.037	0.053
E	15.70	16.13	0.618	0.635
E1	13.10	14.15	0.516	0.557
E2	3.68	5.10	0.145	0.201
E3	1.00	2.60	0.039	0.102
e	5.44 (BSC)		0.214 (BSC)	
N	3		3	
L	18.50	20.32	0.730	0.800
L1	4.15	4.47	0.161	0.176
ap	3.50	3.70	0.138	0.146
Q	5.49	6.00	0.216	0.236
S	6.04	6.30	0.238	0.248

DOCUMENT NO.
Z9800003327

SCALE
0 1 2 3 4 5 6 7 8 9 10
7.5mm

EUROPEAN PROJECTION

ISSUE DATE
09-07-2010

REVISION
05

Recommended For You

IHW30NI160R2

Infineon Technologies Corporation

TO-247

IHW15NI120R3

Infineon Technologies Corporation

TO-247

IHW30NI10R3

Infineon Technologies Corporation

TO-247

IHW20NI35R5XKSA1

Infineon Technologies Corporation

TO-247

IHW25NI120EI

Infineon Technologies Corporation

TO-247

IHW20NI20R5

Infineon Technologies Corporation

TO-247

IHW20NI35R5

Infineon Technologies Corporation

TO-247

IHW50N65R5

Infineon Technologies Corporation

TO-247

IHW30NI35R5

Infineon Technologies Corporation

TO-247

IHW40NI120R3

Infineon Technologies Corporation

TO-247

IHW40N60R

Infineon Technologies Corporation

TO-247

IHW40T60

Infineon Technologies Corporation

TO-247

IHW30N60T

Infineon Technologies Corporation

TO-247

IHW40NI120R5XKSA1

Infineon Technologies Corporation

TO-247

IHW30NI60R5XKSA1

Infineon Technologies Corporation

TO-247