


Log Detector/Controller

| | |
|----------------------|--|
| Manufacturer: | Analog Devices, Inc |
| Package/Case: | LFCSP |
| Product Type: | RF Integrated Circuits |
| RoHS: | RoHS Compliant/Lead free  |
| Lifecycle: | Unconfirmed |

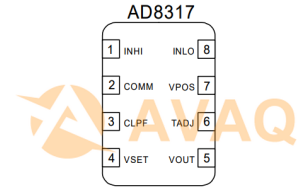


Figure 2. 8-Lead Leadframe Chip Scale Package (LFCSP)

Images are for reference only

[Inquiry](#)

General Description

AD8317ACPZ is a high-performance RF (radio frequency) logarithmic detector from Analog Devices, Inc. It is a monolithic IC (integrated circuit) that provides a DC output voltage proportional to the input RF power in logarithmic scale over a frequency range of 0.1 GHz to 10 GHz.

Key Features

- Wide frequency range: 0.1 GHz to 10 GHz
- Logarithmic output response: Output voltage is proportional to the logarithm of the input power
- High dynamic range: 70 dB (typical)
- Low temperature drift: 0.5 dB/°C (typical)
- Wide supply voltage range: 2.7 V to 5.5 V
- Low power consumption: 11 mA (typical)

Application

- RF power measurement
- RF signal strength indication (RSSI)
- Automatic gain control (AGC) systems
- Signal detection and tracking
- Communication systems
- Spectrum analyzers
- Radar systems
- Electronic warfare (EW) systems

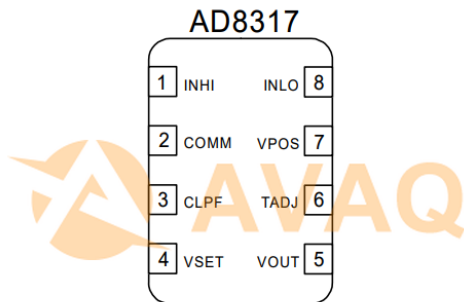
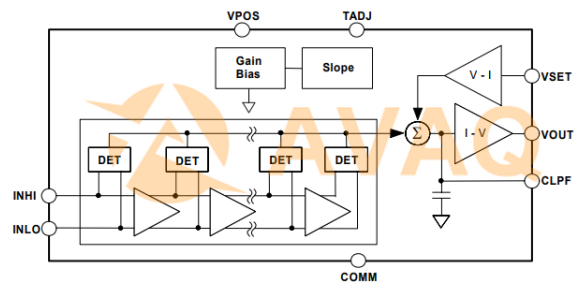


Figure 2. 8-Lead Leadframe Chip Scale Package (LFCSP)



Recommended For You

ADF4153BCPZ

Analog Devices, Inc
QFN

ADF5355BCPZ

Analog Devices, Inc
LFCSP32

AD8318ACPZ

Analog Devices, Inc
LFCSP

AD6620ASZ

Analog Devices, Inc
QFP

ADF4107BCPZ

Analog Devices, Inc
QFN

ADL5513ACPZ-R7

Analog Devices, Inc
LFCSP-16

AD8319ACPZ

Analog Devices, Inc
LFCSP

ADRF6755ACPZ

Analog Devices, Inc
QFN

ADL5535ARKZ-R7

Analog Devices, Inc
SOT89

AD608AR

Analog Devices, Inc
SOP16

ADF4107BRUZ-REEL7

Analog Devices, Inc
TSSOP16

ADRF6780ACPZN

Analog Devices, Inc
QFN

AD608ARZ

Analog Devices, Inc
SOP16

AD8318ACPZ-REEL7

Analog Devices, Inc
LFCSP

ADF7021BCPZ

Analog Devices, Inc
LFCSP48