

ON Semiconductor

Is Now

onsemi™

To learn more about onsemi™, please visit our website at
www.onsemi.com

onsemi and **onsemi** and other names, marks, and brands are registered and/or common law trademarks of Semiconductor Components Industries, LLC dba "**onsemi**" or its affiliates and/or subsidiaries in the United States and/or other countries. **onsemi** owns the rights to a number of patents, trademarks, copyrights, trade secrets, and other intellectual property. A listing of **onsemi** product/patent coverage may be accessed at www.onsemi.com/site/pdf/Patent-Marking.pdf. **onsemi** reserves the right to make changes at any time to any products or information herein, without notice. The information herein is provided "as-is" and **onsemi** makes no warranty, representation or guarantee regarding the accuracy of the information, product features, availability, functionality, or suitability of its products for any particular purpose, nor does **onsemi** assume any liability arising out of the application or use of any product or circuit, and specifically disclaims any and all liability, including without limitation special, consequential or incidental damages. Buyer is responsible for its products and applications using **onsemi** products, including compliance with all laws, regulations and safety requirements or standards, regardless of any support or applications information provided by **onsemi**. "Typical" parameters which may be provided in **onsemi** data sheets and/or specifications can and do vary in different applications and actual performance may vary over time. All operating parameters, including "Typicals" must be validated for each customer application by customer's technical experts. **onsemi** does not convey any license under any of its intellectual property rights nor the rights of others. **onsemi** products are not designed, intended, or authorized for use as a critical component in life support systems or any FDA Class 3 medical devices or medical devices with a same or similar classification in a foreign jurisdiction or any devices intended for implantation in the human body. Should Buyer purchase or use **onsemi** products for any such unintended or unauthorized application, Buyer shall indemnify and hold **onsemi** and its officers, employees, subsidiaries, affiliates, and distributors harmless against all claims, costs, damages, and expenses, and reasonable attorney fees arising out of, directly or indirectly, any claim of personal injury or death associated with such unintended or unauthorized use, even if such claim alleges that **onsemi** was negligent regarding the design or manufacture of the part. **onsemi** is an Equal Opportunity/Affirmative Action Employer. This literature is subject to all applicable copyright laws and is not for resale in any manner. Other names and brands may be claimed as the property of others.

Understanding Digitally Programmable Potentiometers

This White Paper presents the fundamentals of Digitally Programmable Potentiometers (DPP), and provides design ideas for applying DPP in adjustable gain circuits, programmable instrumentation amplifiers, positive LCD bias controls, programmable voltage regulators, and programmable band-pass filters.

Description

The digital potentiometer is a mixed signal device designed as an electronic replacement for mechanical potentiometers. The function of the potentiometer section of the digital potentiometer is the same as the mechanical version. In both cases, the potentiometer or pot is a three terminal device.

Between two of the terminals there is a resistive element. The third terminal called the wiper is connected to various points along this resistive element. The big difference between the two potentiometer technologies (Figure 1) is in the control section. In the mechanical version (Figure 1a), the connection is physical or mechanical while in the electronic version (Figure 1b) the connection is electrical. The wiper of the mechanical potentiometer is physically moved by one's hand while the electronic version is digitally controlled, typically by a computer or microcontroller. The most common terminal designations for the digital potentiometer are R_L , R_H , and R_W .

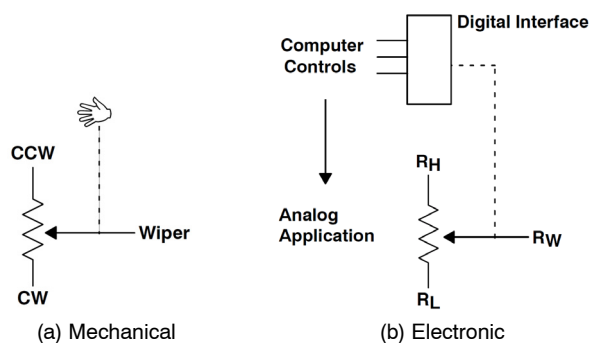


Figure 1. Potentiometers

The digital portion of a digital potentiometer circuit contains the interface, control, and registers associated with the potentiometer. The input signals to the digital section are



ON Semiconductor®

www.onsemi.com

REFERENCE DESIGN

the external control signals from the serial bus. The outputs of the digital section are internal signals that move the wiper, stored in internal volatile and/or nonvolatile registers. In the below example (Figure 2) a typical analog portion of a digital potentiometer is shown.

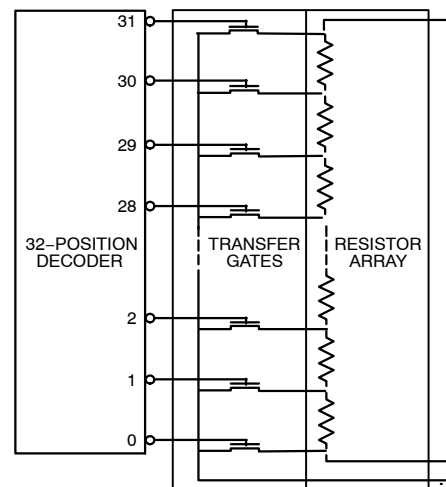


Figure 2. Example of Digital Potentiometer Architecture

Ideal for automated adjustments on high volume production lines, the digital potentiometers are also well suited for applications where equipment requiring periodic adjustment is either difficult to access or located in a hazardous or remote environment.

Digital potentiometers are suitable for any application requiring trimming or calibration:

- Instrumentation and medical
- Base stations

- Security systems
- Frequency trimming

They have many advantages over mechanical potentiometers:

- No drift over time
- No drift over temperature
- No changes due to mechanical stress/shock
- Systems can be calibrated real-time in the field

The Basic Ways of Using a Digital Potentiometer

The digital potentiometer is a three terminal device and has two fundamental modes or configurations; (1) three terminals and (2) two terminals. As a three terminal device, the pot is a resistive divider and as a two terminal device (called the rheostat mode) the pot is a variable resistance.

Figure 3 illustrates the two basic modes and basic applications.

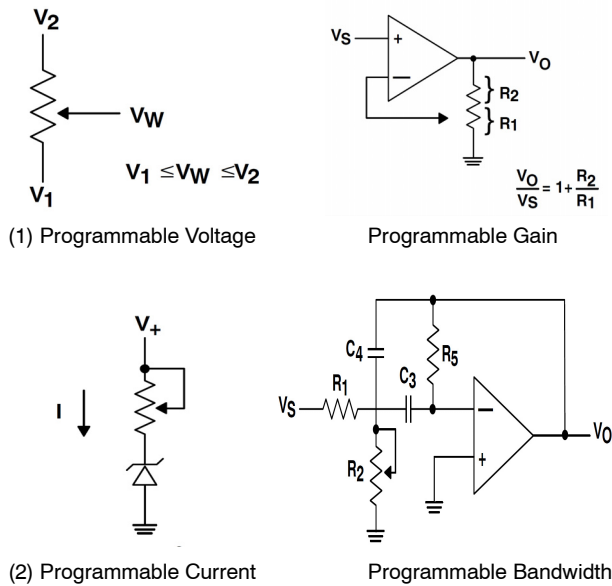


Figure 3. Basic Potentiometer Applications

DPP Memory Types

Depending on their type of memory, there are volatile DPP and non-volatile DPP, providing the designer with the possibility of choosing the most suitable solution for a specific application.

The volatile DPP resets the wiper at mid-scale on power-on. Although they don't have internal non-volatile storage, volatile DPP provides a cost-effective solution by

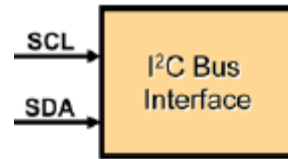
using the storage capability already existent within the application.

The non-volatile DPP has an EEPROM for wiper storage, thus recalling the wiper position at power-on. This feature simplifies applications that require the wiper position to be automatically saved (for example, saving the last user setting).

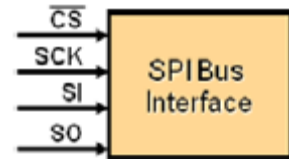
Control Interface

Most digital potentiometers are controlled through a serial bus. The three most popular options are I2C, SPI, and the UP/Down interface.

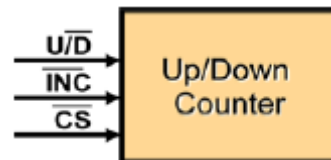
The I2C bus offers the advantage of using the fewest lines – SDA and SCL. Multiple devices can be controlled via the same bus. Clock speed, however, is limited to 400 kHz or 1 MHz, depending on the device.



The SPI protocol is faster, with speeds of up to 25 MHz. However, each device requires its own Chip Select signal, and the data bus uses three lines – SI, SO, and SCK.



The Up/Down interface requires three lines (CS, INC, and U/D), and allows incrementation and decrementation of the current wiper position, as opposed to the other two which require the whole data byte to be sent. If the device is selected, the device will increment its position on the negative edge of INC when U/D is high, and it will decrement its position when U/D is low. This interface is suitable for adjustments to the position, but does not allow the master to read back the digital potentiometer's current settings. The Up/Down interface is well suited to use with incremental rotary encoders.



TND6010/D

Application Circuits

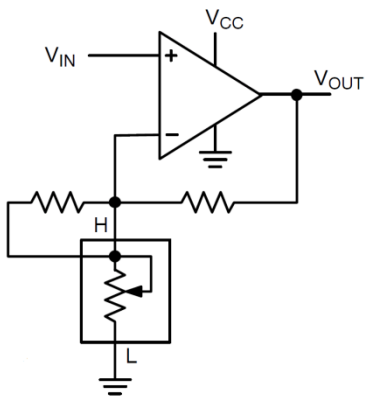


Figure 4. Adjustable Gain Circuit with Rheostat

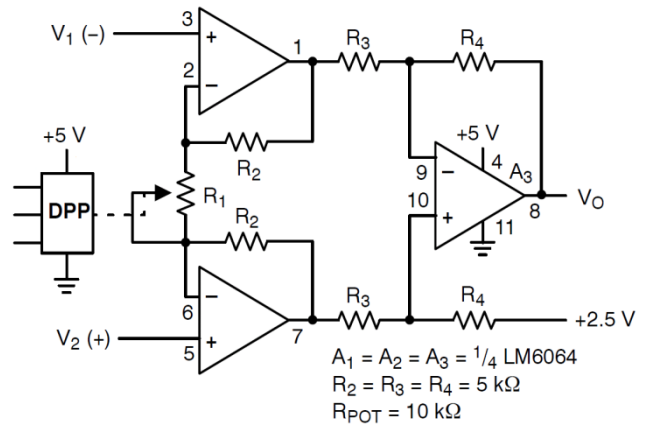


Figure 5. Programmable Instrumentation Amplifier

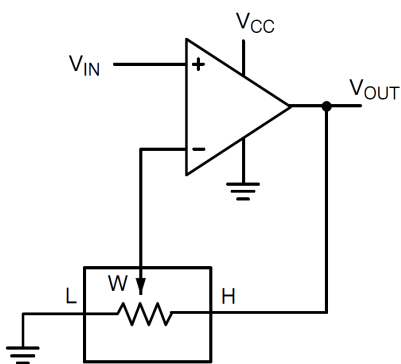


Figure 6. Adjustable Gain Circuit with Voltage Divider

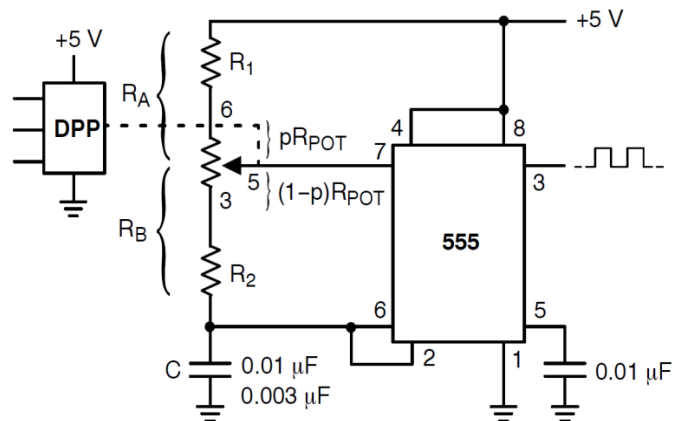


Figure 7. Programmable Square Wave Oscillator (555)

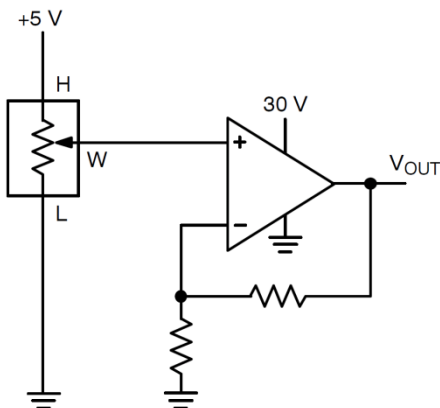


Figure 8. Positive LCD Bias Control

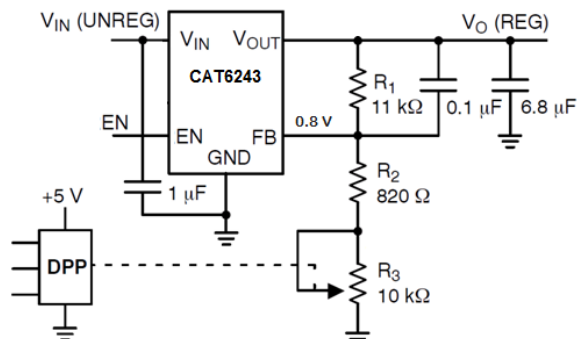


Figure 9. Programmable Voltage Regulator

TND6010/D

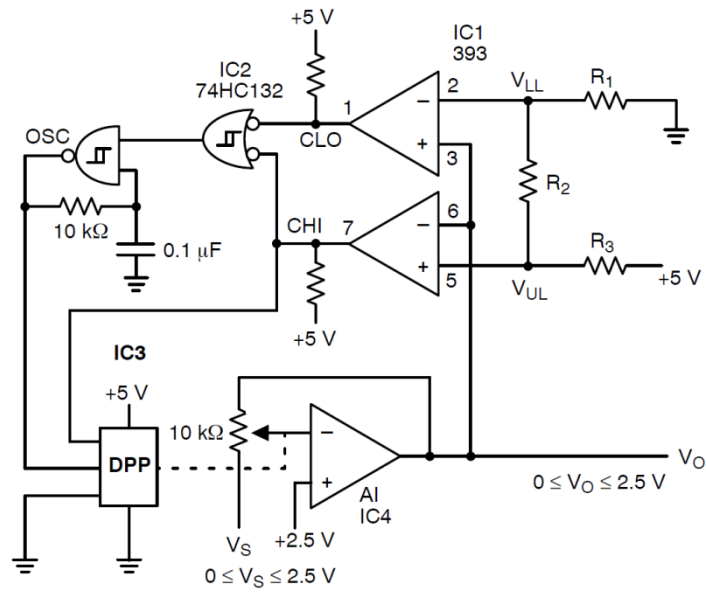


Figure 12. Automatic Gain Control

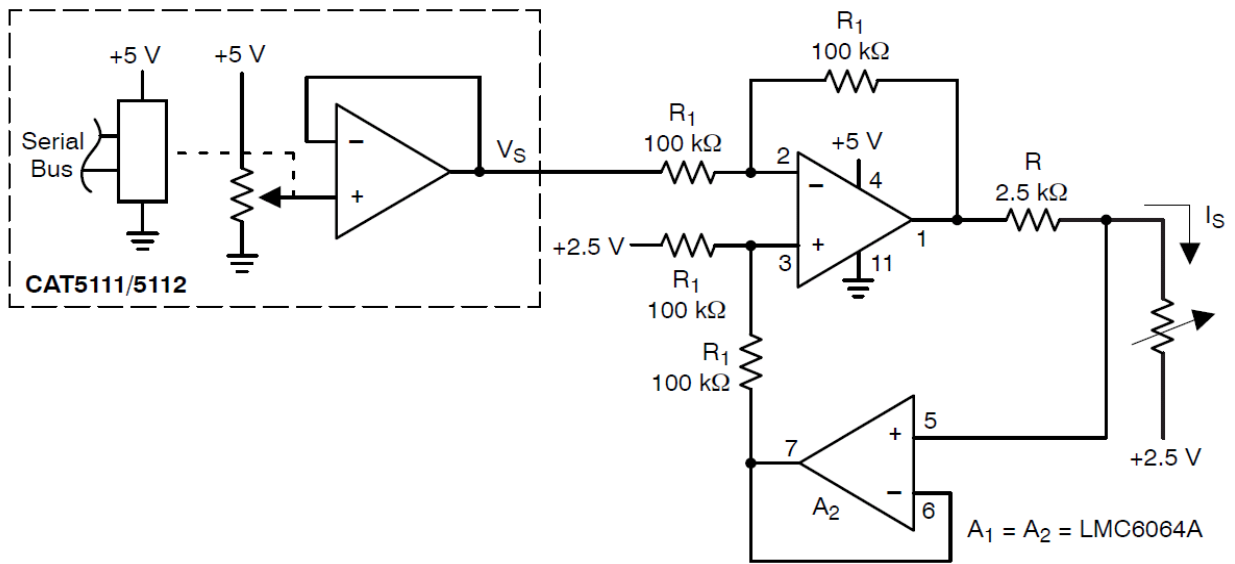


Figure 13. Programmable Current Source/Sink

Related Application Notes

Application notes can be found at www.onsemi.com.

AND8412/D DPP to Control LED Brightness

This application note shows a DPP circuit used in combination with the CAT32 white LED driver. A digitally programmable Potentiometer replaces a discrete resistor with the advantage of providing an adjustable value allowing the LED brightness to dynamically change.

AND8414/D Everything You Wanted to Know About Digitally Potentiometers

This application note answers frequently asked questions about the fundamentals of electronic or digitally programmable potentiometers (DPP).

AND8420/D Improving the Resolution of Digitally Programmable Potentiometer Applications

The objective of this application note is to illustrate a few basic device and circuit ideas on resolution. This application note focuses on resolving voltage.

AND8421/D Making a Stop-less Digitally Programmable Potentiometer

This application note contains a reference design to take the stops out of the digitally programmable potentiometer (DPP) in an application circuit.

AND8415/D Minimizing the Temperature Dependence of Digitally Programmable Potentiometers

The temperature dependence of the parameters of an analog circuit using a digitally programmable potentiometer is reduced if the performance of the circuit is shifted from the TC of the end-to-end resistance of the pot to the ratiometric TC.

AND8419/D Operating Speeds of Digitally Programmable Potentiometers

This application note lists the dominant operating time and frequency characteristics of digitally programmable potentiometers.

AND8422/D Power-Up and Power-Down Characteristics for Digitally Programmable Potentiometers

This application note discusses what happens when power (V_{CC}) is applied or removed from a digitally programmable potentiometer in an application circuit.

AND8413/D Programmable Analog Functions

This application note provides the analog design engineer with basic reference designs and circuit ideas for controlling the key parameters of analog circuits using digitally programmable potentiometers connected to a computer bus or microcontroller.

AND8417/D Push Button Control of Digitally Programmable Potentiometers with an Increment/Decrement Interface

This application note discusses the push button control of DPP which has an increment/decrement interface in applications where there is no embedded processor.

AND8416/D The CAT5132 Used for V_{COM} Buffer Control in a TFT LCD Display










The CAT5132 is a 7 bit (128 positions) DPP with a nonvolatile memory and capable of resistor terminal voltages as high as 16 V. It maintains the simplicity of the mechanical potentiometer solution while providing the versatility and reliability of the DAC solution at a much lower cost.

TND6010/D




Product Portfolio

ON Semiconductor's offers a broad portfolio of digitally programmable potentiometers:

- Resolution: 16 to 256 taps (4 to 8-bit)
- Resistance (full scale): 2.5 kΩ to 100 kΩ
- Log or Linear
- Memory Types:
 - ◆ Volatile
 - ◆ Non-volatile
- Resistor Network Configuration:
 - ◆ Potentiometer (resistive divider)
 - ◆ Rheostat (variable resistance)
- Control Interface:
 - ◆ UP-DOWN
 - ◆ I²C
 - ◆ SPI
- Single, dual, quad potentiometer options


	16 Taps	32 Taps	64 Taps	100 Taps	128 Taps	256 Taps
	CAT5120 	CAT5110 	CAT5221 x2	CAT5111 	CAT5133 +16V	CAT5140 +EE
	CAT5121 	CAT5118 	CAT5241 x4	CAT5113	CAT5132 +16V	CAT5171
	CAT5122 	CAT5119 	CAT5409 x4	CAT5116	CAT5137	CAT5271 x2
		CAT5112 	CAT5419 x2		CAT5138	CAT5273 x2 
Memory		CAT5115	CAT5411 x2			CAT5269 x2
EEPROM			CAT5401 x4			CAT5259 x4
Volatile						CAT5172
						CAT5261 x2
						CAT5251 x4

Interface
Inc/Dec
I ² C
SPI

	SC-70 & SOT-23-6 Package
	Buffered Output
	Rheostat Configuration
+EE	Extra GP EEPROM

TND6010/D

Product	# of Pots	# of Taps	Type	Control Interface	End-to-End Resistance (k Ω)	Wiper Position Memory
CAT5111	1	100	Potentiometer	Up/Down	10, 50, 100	Yes
CAT5113	1	100	Potentiometer	Up/Down	1, 10, 50, 100	Yes
CAT5116	1	100	Potentiometer	Up/Down	32	Yes
CAT5110	1	32	Potentiometer	Up/Down	10, 50, 100	No
CAT5112	1	32	Potentiometer	Up/Down	10, 50, 100	Yes
CAT5114	1	32	Potentiometer	Up/Down	10, 50, 100	Yes
CAT5115	1	32	Potentiometer	Up/Down	10, 50, 100	No
CAT5118	1	32	Rheostat	Up/Down	10, 50, 100	No
CAT5119	1	32	Rheostat	Up/Down	10, 50, 100	No
CAT5123	1	32	Rheostat	Up/Down	10	No
CAT5124	1	32	Rheostat	Up/Down	50	No
CAT5125	1	32	Rheostat	Up/Down	10	No
CAT5126	1	32	Potentiometer	Up/Down	10	OTP
CAT5127	1	32	Rheostat	Up/Down	10	Yes
CAT5128	1	32	Potentiometer	Up/Down	10, 50	No
CAT5129	1	32	Rheostat	Up/Down	10	Yes
CAT5120	1	16	Potentiometer	Up/Down	10, 50	No

ON Semiconductor and  are trademarks of Semiconductor Components Industries, LLC dba ON Semiconductor or its subsidiaries in the United States and/or other countries. ON Semiconductor owns the rights to a number of patents, trademarks, copyrights, trade secrets, and other intellectual property. A listing of ON Semiconductor's product/patent coverage may be accessed at www.onsemi.com/site/pdf/Patent-Marking.pdf. ON Semiconductor reserves the right to make changes without further notice to any products herein. ON Semiconductor makes no warranty, representation or guarantee regarding the suitability of its products for any particular purpose, nor does ON Semiconductor assume any liability arising out of the application or use of any product or circuit, and specifically disclaims any and all liability, including without limitation special, consequential or incidental damages. Buyer is responsible for its products and applications using ON Semiconductor products, including compliance with all laws, regulations and safety requirements or standards, regardless of any support or applications information provided by ON Semiconductor. "Typical" parameters which may be provided in ON Semiconductor data sheets and/or specifications can and do vary in different applications and actual performance may vary over time. All operating parameters, including "Typicals" must be validated for each customer application by customer's technical experts. ON Semiconductor does not convey any license under its patent rights nor the rights of others. ON Semiconductor products are not designed, intended, or authorized for use as a critical component in life support systems or any FDA Class 3 medical devices or medical devices with a same or similar classification in a foreign jurisdiction or any devices intended for implantation in the human body. Should Buyer purchase or use ON Semiconductor products for any such unintended or unauthorized application, Buyer shall indemnify and hold ON Semiconductor and its officers, employees, subsidiaries, affiliates, and distributors harmless against all claims, costs, damages, and expenses, and reasonable attorney fees arising out of, directly or indirectly, any claim of personal injury or death associated with such unintended or unauthorized use, even if such claim alleges that ON Semiconductor was negligent regarding the design or manufacture of the part. ON Semiconductor is an Equal Opportunity/Affirmative Action Employer. This literature is subject to all applicable copyright laws and is not for resale in any manner.

PUBLICATION ORDERING INFORMATION

LITERATURE FULFILLMENT:

Literature Distribution Center for ON Semiconductor
 19521 E. 32nd Pkwy, Aurora, Colorado 80011 USA
Phone: 303-675-2175 or 800-344-3860 Toll Free USA/Canada
Fax: 303-675-2176 or 800-344-3867 Toll Free USA/Canada
Email: orderlit@onsemi.com

N. American Technical Support: 800-282-9855 Toll Free
 USA/Canada
Europe, Middle East and Africa Technical Support:
 Phone: 421 33 790 2910

ON Semiconductor Website: www.onsemi.com

Order Literature: <http://www.onsemi.com/orderlit>

For additional information, please contact your local Sales Representative