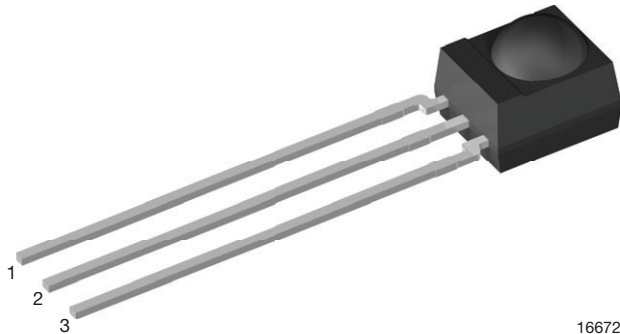


IR Receiver Modules for Remote Control Systems

Vishay offers stock mold IR receivers in four different packages:

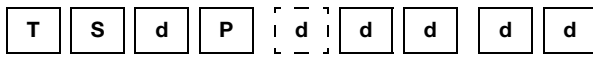
- Loose packed in tubes, mounted on tape for reel or ammpack, or packed bulk in plastic bags
- Vishay IR receiver with metal holders are packed in plastic trays. Vishay IR receiver with plastic holders are packed in plastic tubes



16672

LOOSE PACKED IN TUBE

ORDERING INFORMATION



- O = optoelectronics for IR receiver applications or
- S = sensor applications or
- M = for repeater / learning applications

Product series (2 or 3 digits)

Frequency

Note

- d = "digit", please consult the list of available devices create a valid part number

Example: TSOP33438
TSOP53136

PACKAGING QUANTITY

- 90 pieces per tube
- 24 tubes per carton

FEATURES

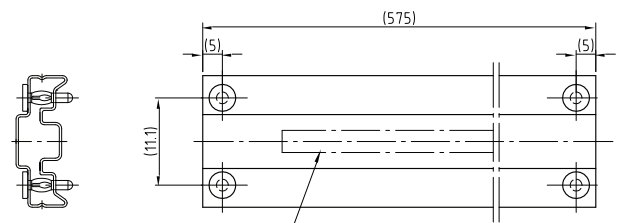
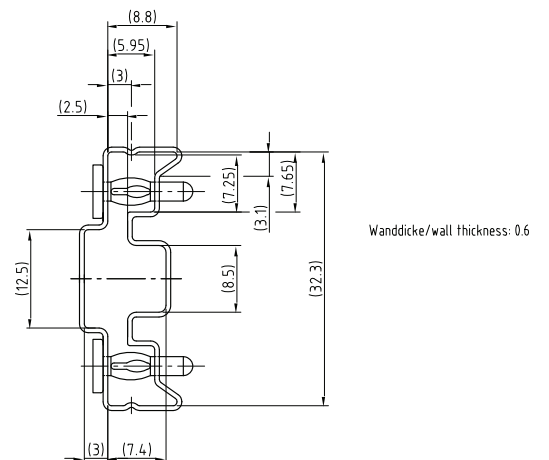
- Material categorization: for definitions of compliance please see www.vishay.com/doc?99912



AVAILABLE FOR

- TSOP34...
- TSOP4....
- TSOP32...
- TSOP2...
- TSOP14...
- TSOP94...
- TSOP12...
- TSOP92...
- TSSP4..
- TSMP4..

PACKAGING DIMENSIONS in millimeters



Drawing-No.: 9.700-5185.0-4
Rev. 13; Date: 20.11.03
20273-1

Druck / Printing for tubes
1400-5548.0-3 Version 1

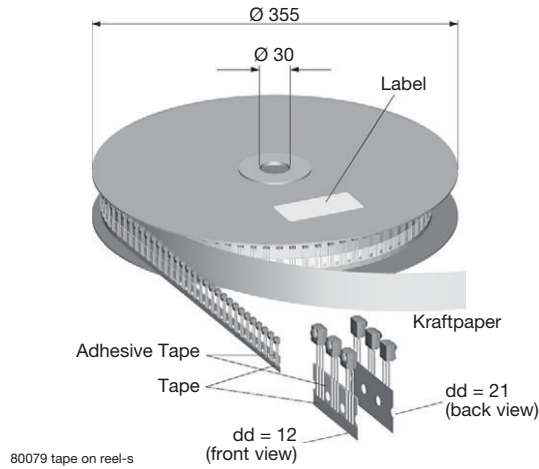


TAPE AND REEL / AMMOPACK

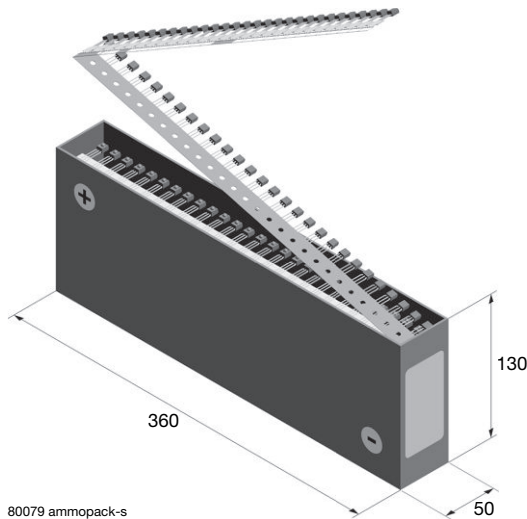
Up to 3 consecutive components may be missing if the gap is followed by at least 6 components. A maximum of 0.5 % of the components per reel quantity may be missing. At least 5 empty positions are present at the start and the end of the tape to enable insertion.

Tensile strength of the tape: > 15 N

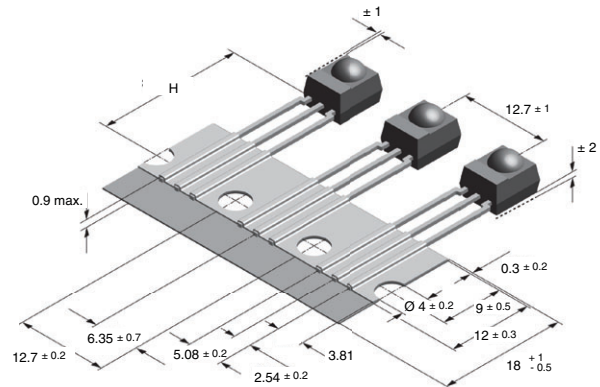
Pulling force in the plane of the tape, at right angles to the reel: > 5 N



80079 tape on reel-s

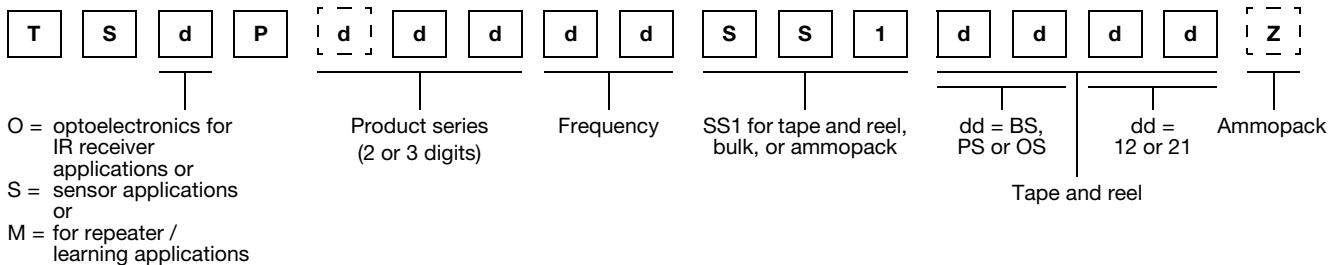


80079 ammpack-s



VERSION	DIMENSION "H"
BS	20 ± 0.5
PS	23.3 ± 0.5
OS	26 ± 0.5

ORDERING INFORMATION



Note

- d = "digit", please consult the list of available series on the previous page to create a valid part number

Example: TSOP4838SS1BS12
TSOP2238SS1BS12Z

PACKAGING QUANTITY

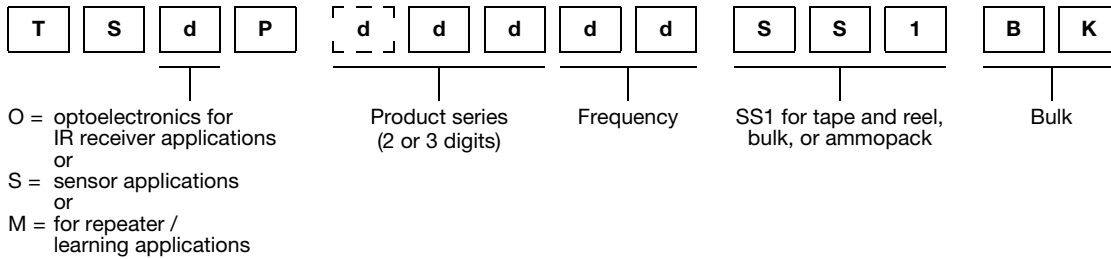
- 1000 pieces per reel
- 1000 pieces per ammpack



BULK PACKAGING

The option “BK” signifies bulk packaging in conductive plastic bags. The packing quantity is determined by weight and the number of components per carton may vary by a maximum of ± 0.3 %.

ORDERING INFORMATION



Note

- d = “digit”, please consult the list of available series on the previous page to create a valid part number

Examples: **TSOP4838SS1BK**
TSOP2238SS1BK

PACKAGING QUANTITY

- 250 pieces per bag (each bag is individually boxed)
- 6 bags in boxes per carton

OUTER PACKAGING

CARTON BOX DIMENSIONS in millimeters			
KINDS OF CARTON BOX	THICKNESS	WIDTH	LENGTH
Packaging plastic tubes (normal / auxiliary devices)	80	150	600
Packaging plastic trays (devices with metal holders)	120	290	490
Tape and reel box (taping in reels)	400	310	410
Ammo-box (zigzag taping)	50	130	350