

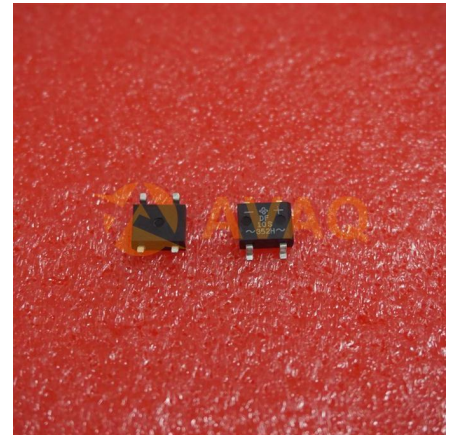
1.5A Bridge Rectifier

Manufacturer: ON Semiconductor, LLC

Package/Case: SOP4

Product Type: Thyristors

Lifecycle: Active



Images are for reference only

[Inquiry](#)

General Description

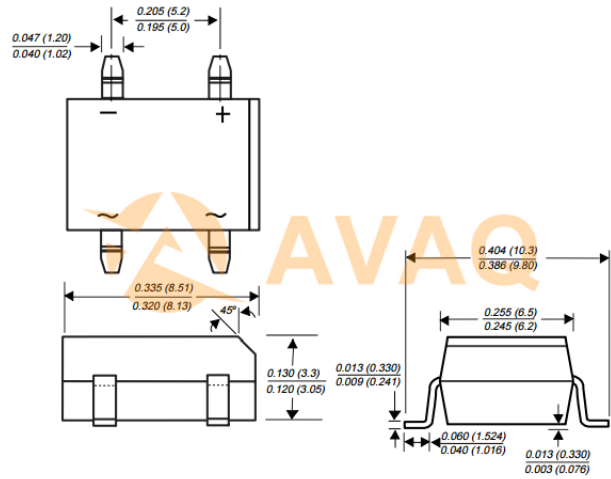
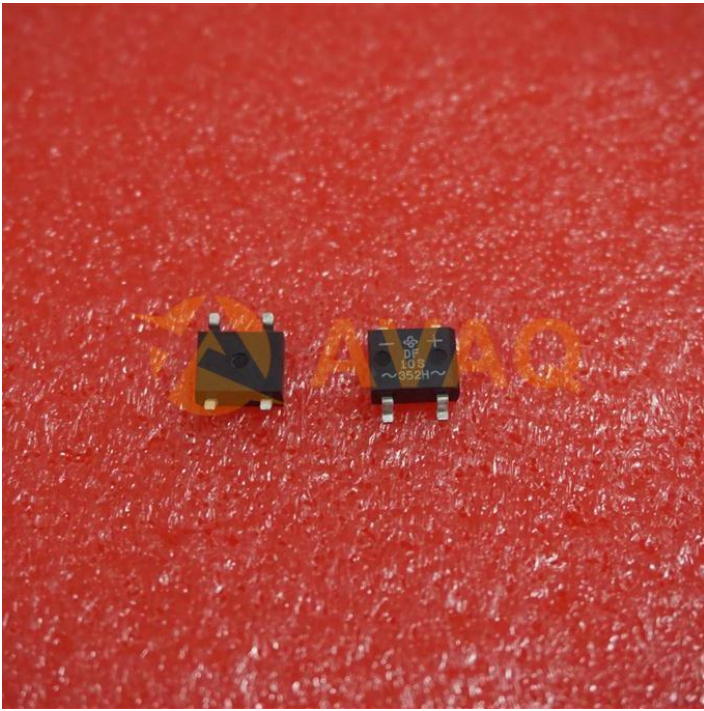
Key Features

FEATURES

- ◆ Plastic package has Underwriters Laboratory Flammability Classification 94V-0
- ◆ This series is UL recognized under Component Index, file number E54214
- ◆ Glass passivated chip junctions
- ◆ High surge overload rating-50 amperes peak
- ◆ Ideal for printed circuit boards
- ◆ High temperature soldering guaranteed:
260°C/10 seconds at 5 lbs. (2.3kg) tension

Application

This product is general usage and suitable for many different applications.



Recommended For You

DF01S

ON Semiconductor, LLC

SOP4

DF04S

ON Semiconductor, LLC

SOP4

DF04M

ON Semiconductor, LLC

DIP-4

DF08S

ON Semiconductor, LLC

SOP-4

DF06M

ON Semiconductor, LLC

DIP-4

DF005S

ON Semiconductor, LLC

SOP4

DFB2060

ON Semiconductor, LLC

Tube

DF01S1

ON Semiconductor, LLC

SMD

DFB2010

ON Semiconductor, LLC

TS-6P

DFB2040

ON Semiconductor, LLC

BGA

DFB2520

ON Semiconductor, LLC

BGA

DF06S1

ON Semiconductor, LLC

SMD

DF005S2

ON Semiconductor, LLC

SMD

DF04S1

ON Semiconductor, LLC

PDIP-4GW

DFB2080

ON Semiconductor, LLC

TS-6P