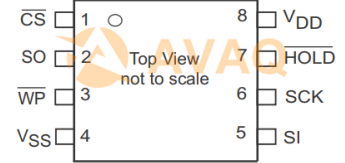


## FRAM 4Mbit Serial-SPI Interface 3.3V 8-Pin SOIC EIAJ Tube

<b>Manufacturer:</b>	Infineon Technologies Corporation
<b>Package/Case:</b>	SOP8
<b>Product Type:</b>	Memory
<b>RoHS:</b>	RoHS Compliant/Lead free
<b>Lifecycle:</b>	Active

**Figure 1. 8-pin SOIC Pinout**



Images are for reference only

Inquiry

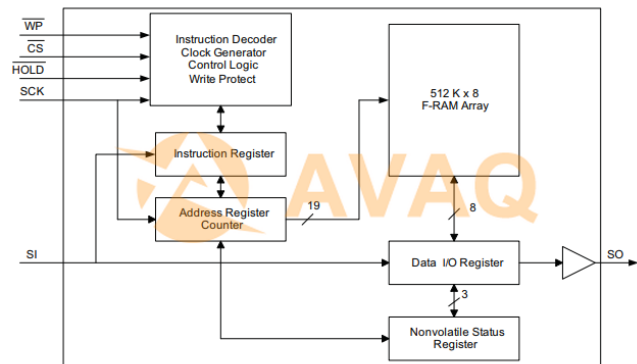
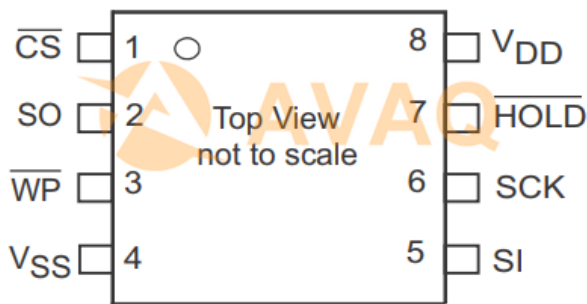
### General Description

Avaq Semiconductor offers the highly versatile and reliable CY15B104Q-SXI driver, produced by Infineon Technologies Corporation. With its multifunctional and high-performance capabilities, this component is an excellent choice for a wide range of electronic projects.

To ensure that you have all the necessary information to make the most of this component, Avaq provides a free datasheet PDF, as well as circuit diagrams, pin layouts, pin details, pin voltage ratings, and equivalent components for the CY15B104Q-SXI.

Avaq also offers free samples. Simply fill out and submit the sample request form to receive your free samples for testing. If you have any questions, please feel free to contact us at ar

**Figure 1. 8-pin SOIC Pinout**



### Recommended For You

**CY62167ELL-45ZXI**  
Infineon Technologies Corporation  
TSOP48

**CY15B102Q-SXE**  
Infineon Technologies Corporation  
SOP8

**CY7C1009D-10VXI**  
Infineon Technologies Corporation  
SOJ-32

**CY7C1069G30-10ZSXI**  
Infineon Technologies Corporation  
TSOP-54

**CY7C1350G-133AXC**  
Infineon Technologies Corporation  
QFP100

**CY7C1480V33-167AXC**  
Infineon Technologies Corporation  
TQFP100

**CY7C1325B-117AC**  
Infineon Technologies Corporation  
QFP-100L

**CY14B108L-ZS45XI**  
Infineon Technologies Corporation  
TSOP44

**CY62146EV30LL-45ZSXIIT**  
Infineon Technologies Corporation  
TSSOP44

**CY62146ELL-45ZSXI**

Infineon Technologies Corporation

TSSOP-44

**CY62167EV18LL-55BVXI**

Infineon Technologies Corporation

BGA

**CY7C1019DV33-10VXI**

Infineon Technologies Corporation

SOJ32

**CY7C1021DV33-10VXI**

Infineon Technologies Corporation

SOJ44

**CY7C1470V33-167AXI**

Infineon Technologies Corporation

TQFP100

**CY14B108N-BA25XI**

Infineon Technologies Corporation

BGA