


EEPROM Serial-2Wire 512K-bit 64K x 8 1.8V/2.5V/3.3V/5V 8-Pin SOP T/R

Manufacturer:	ROHM Semiconductor
Package/Case:	SOP-8
Product Type:	Memory
RoHS:	RoHS Compliant/Lead free 
Lifecycle:	Active



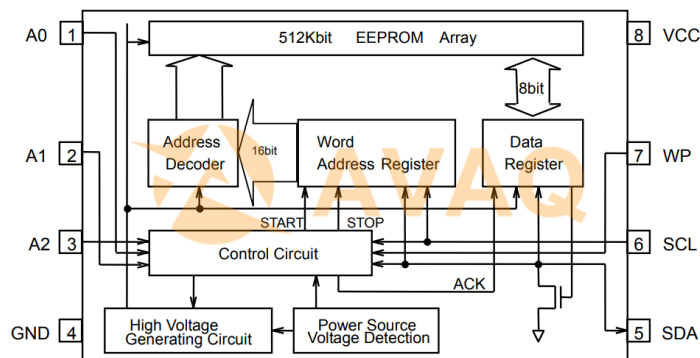
SOP8
5.00mm x 6.20mm x 1.71mm

Images are for reference only

[Inquiry](#)

General Description

ROHM's high reliability serial EEPROMs command a large market share and are available in a range of capacities, bus interfaces (Microwire, I²C, SPI), operating voltages (1.7V to 5.5V, 1.8V to 5.5V, 2.5V to 5.5V, 3.0V to 3.6V) and package types, making them ideal for battery powered devices. The entire series are both lead-free and RoHS-compliant.



Recommended For You

BR24L02F-WE2

ROHM Semiconductor
SOP-8

BR25G320FJ-3GE2

ROHM Semiconductor
SOP8

BR24T1MFJ-3AME2

ROHM Semiconductor
SOP8

BR25G320FVT-3GE2

ROHM Semiconductor
TSSOP-B8

BR25S256F-WE2

ROHM Semiconductor
SOP8

BR93A46RFJ-WME2

ROHM Semiconductor
SOP8

BR24H128F-5ACE2

ROHM Semiconductor

SOP8

BR93H66RFVM-WCTR

ROHM Semiconductor

AN

BR24T02FV-WGE2

ROHM Semiconductor

PBF

BR24T512FVT-3AME2

ROHM Semiconductor

AN

BR93H86RF-WCE2

ROHM Semiconductor

SOP8P

BR93G66F-3GTE2

ROHM Semiconductor

SOP-8

BR93G46F-3AGTE2

ROHM Semiconductor

SOP8

BR24H32FVT-5ACE2

ROHM Semiconductor

AN

BR93G76F-3AGTE2

ROHM Semiconductor

8-SOP