

400MHZ QUADRATURE IF MODULATOR/DEMODULATOR

Manufacturer:	Renesas Technology Corp
Package/Case:	QFP
Product Type:	RF Integrated Circuits
Lifecycle:	Obsolete



Images are for reference only

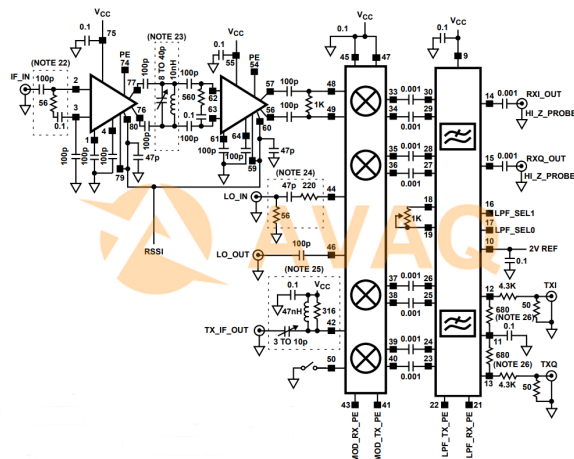
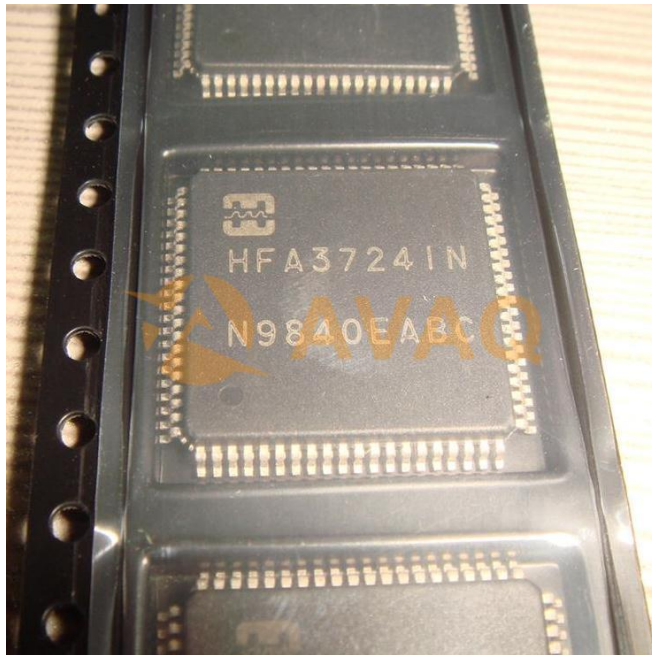
[Inquiry](#)

General Description

Avaq Semiconductor offers the highly versatile and reliable HFA3724IN driver, produced by Renesas Technology Corp. With its multifunctional and high-performance capabilities, this component is an excellent choice for a wide range of electronic projects.

To ensure that you have all the necessary information to make the most of this component, Avaq provides a free datasheet PDF, as well as circuit diagrams, pin layouts, pin details, pin voltage ratings, and equivalent components for the HFA3724IN.

Avaq also offers free samples. Simply fill out and submit the sample request form to receive your free samples for testing. If you have any questions, please feel free to contact us at ar



Recommended For You

HFA3726IN

Renesas Technology Corp
QFP

HFA3726IN96

Renesas Technology Corp
BGA

HFA3624IA

Renesas Technology Corp
SSOP28

HFA3842IN

Renesas Technology Corp
QFP

HSP50110JI-52

Renesas Technology Corp
PLCC84

uPB1507GV-EI

Renesas Technology Corp
SSOP8

DA14531-00000FX2

Renesas Technology Corp
WFQFN24

F1958NBGK8

Renesas Technology Corp
QFN

DA14531-00000OG2

Renesas Technology Corp
SOT-23-6

UPB1507GV

Renesas Technology Corp
MSOP8

DA14683-00000A92

Renesas Technology Corp
QFN60

F1958NBGK

Renesas Technology Corp
QFN-24

F1956NBGI

Renesas Technology Corp
QFN

F2258NLGK

Renesas Technology Corp
QFN

DA14681-01000U22

Renesas Technology Corp
UFBGA53