

RF Switch SPDT 100MHz to 6GHz 56dB 16-Pin QFN EP T/R

Manufacturer: [Skyworks Solutions, Inc](https://www.skyworksinc.com/)

Package/Case: QFN

Product Type: Switches

RoHS: RoHS Compliant/Lead free 

Lifecycle: Active

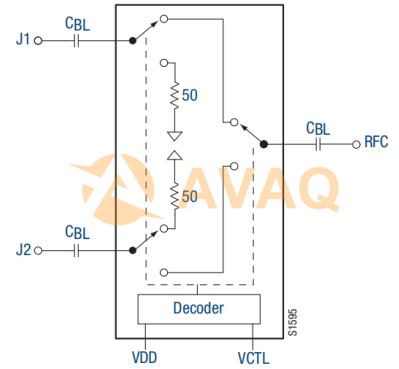


Figure 1. SKY13372-467LF Block Diagram

Images are for reference only

[Inquiry](#)

General Description

The SKY13372-467LF is a pHEMT GaAs FET IC ultra high isolation (>60 dB typ.) non-reflective switch packaged in a compact, 16 lead 4 x 4 mm, Quad Flat (QFN) No Lead package and is categorized as Skyworks Green. Operation is possible over a wide 3.0 to 5V supply range and includes a integrated CMOS driver for ease of operation. It is an ideal building block for base station band switching applications where synthesizer isolation is critical. The broad operating frequency range, high isolation and low insertion loss of the SKY13372-467LF make this switch well suited for a variety of applications including Cellular Infrastructure, Test and Measurement, RFID and Military Communication. Evaluation boards and samples are available upon request.

Key Features

Applications

- GSM, PCS, WCDMA base stations
- 2.4 and 5.8GHz ISM devices
- Wireless local loops

Features

- Single, positive voltage control: 0 to 3 and 0 to 5V
- High isolation 64 dB at 1 GHz and 2 GHz
- Integrated silicon CMOS driver
- Absorptive
- Small, QFN(16-pin, 4x4 mm) Pb-free package

(MSL1, 260C per JEDECJ-STD-020)

Description

The SKY13372-467LF is a GaAs pHEMT FET high-isolation, absorptive switch. The device is an ideal component for base station applications in which synthesizer isolation is critical.

Application

Macro/Massive MIMO

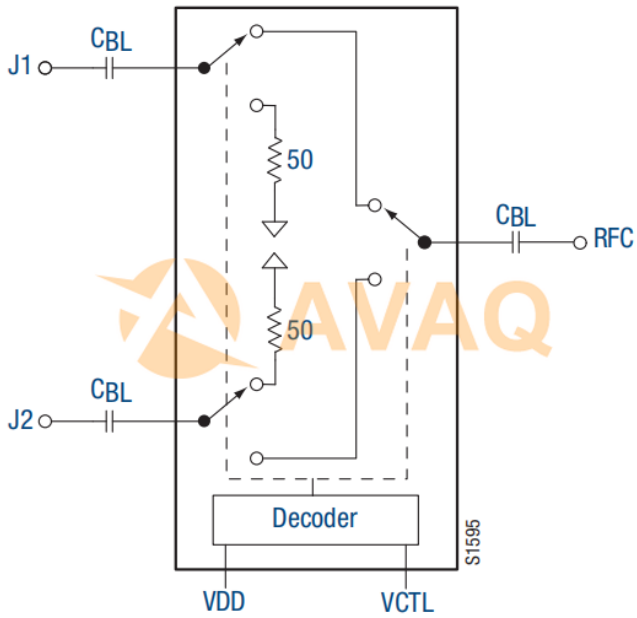


Figure 1. SKY13372-467LF Block Diagram

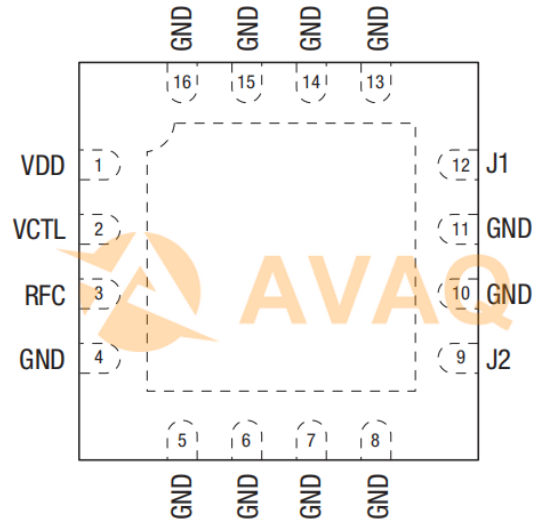


Figure 2. SKY13372-467LF Pinout - 16-Pin QFN (Top View)

Recommended For You

SKY85712-21

Skyworks Solutions, Inc
QFN

SKY13373-460LF

Skyworks Solutions, Inc
QFN

SKY65404-31

Skyworks Solutions, Inc
QFN

SKY67151-396LF

Skyworks Solutions, Inc
QFN

SKY65723-81

Skyworks Solutions, Inc
DFN-6

SKY13320-374LF

Skyworks Solutions, Inc
QFN

SKY13415-485LF

Skyworks Solutions, Inc
QFN14

SKY13585-679LF

Skyworks Solutions, Inc
QFN

SKY85712-11

Skyworks Solutions, Inc
QFN

SKY13416-485LF

Skyworks Solutions, Inc
QFN

SKY13431-374LF

Skyworks Solutions, Inc
DFN6

SKY67150-396LF

Skyworks Solutions, Inc
DFN6

SKY13414-485LF

Skyworks Solutions, Inc
QFN

SKY65405-21

Skyworks Solutions, Inc
QFN

SKY13446-374LF

Skyworks Solutions, Inc
DFN