


## RF Switch SPDT 0MHz to 4GHz 36dB 8-Pin LFCSP EP T/R

<b>Manufacturer:</b>	<a href="#">Analog Devices, Inc</a>
<b>Package/Case:</b>	LFCSP8
<b>Product Type:</b>	Switches
<b>RoHS:</b>	RoHS Compliant/Lead free 
<b>Lifecycle:</b>	Active

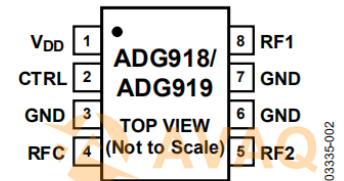


Figure 4. 8-Lead MSOP (RM-8) and 8-Lead 3 mm x 3 mm LFCSP (CP-8); Exposed Pad Tied to Substrate, GND

Images are for reference only

[Inquiry](#)

### General Description

The ADG918/ADG919 are wideband switches using a CMOS process to provide high isolation and low insertion loss to 1 GHz. The ADG918 is an absorptive (matched) switch having 50 Ω terminated shunt legs, whereas the ADG919 is a reflective switch. These devices are designed such that the isolation is high over the dc to 1 GHz frequency range. They have on-board CMOS control logic, thus eliminating the need for external controlling circuitry. The control inputs are both CMOS and LVTTTL compatible. The low power consumption of these CMOS devices makes them ideally suited to wireless and general-purpose high frequency switching applications.

#### Product Highlights

- 43 dB off isolation at 1 GHz.
- 0.8 dB insertion loss at 1 GHz.
- Tiny 8-lead MSOP/LFCSP.

### Key Features

- Wideband switch: -3 dB at 4 GHz
- Absorptive/reflective switches
- High off isolation (43 dB at 1 GHz)
- Low insertion loss (0.8 dB at 1 GHz)
- Single 1.65 V to 2.75 V power supply
- CMOS/LVTTTL control logic
- 8-lead MSOP and tiny 3 mm × 3 mm LFCSP
- Low power consumption (<1 μA)

### Application

- Wireless communications
- General-purpose RF switching
- Dual-band applications
- High speed filter selection
- Digital transceiver front end switch
- IF switching
- Tuner modules Antenna diversity switching

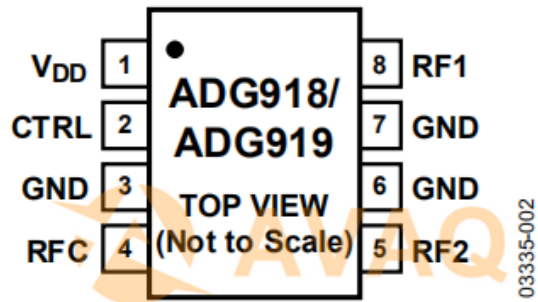
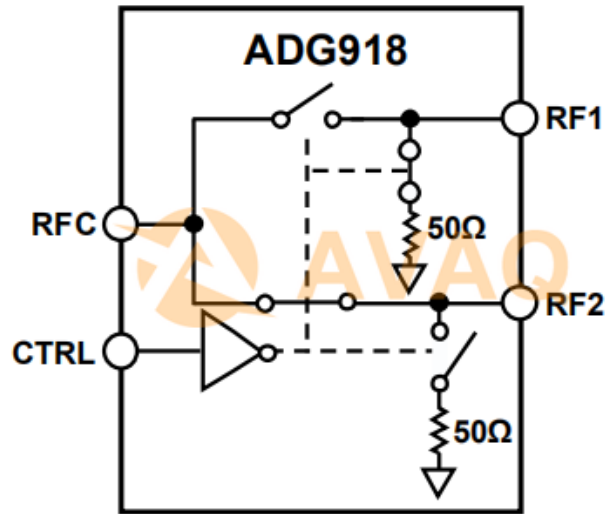


Figure 4. 8-Lead MSOP (RM-8) and 8-Lead 3 mm x 3 mm LFCSP (CP-8); Exposed Pad Tied to Substrate, GND



## Recommended For You

### ADF4153BCPZ

Analog Devices, Inc  
QFN

### ADF5355BCPZ

Analog Devices, Inc  
LFCSP32

### AD8318ACPZ

Analog Devices, Inc  
LFCSP

### AD6620ASZ

Analog Devices, Inc  
QFP

### ADF4107BCPZ

Analog Devices, Inc  
QFN

### ADL5513ACPZ-R7

Analog Devices, Inc  
LFCSP-16

### AD8319ACPZ

Analog Devices, Inc  
LFCSP

### ADRF6755ACPZ

Analog Devices, Inc  
QFN

### ADL5535ARKZ-R7

Analog Devices, Inc  
SOT89

### AD608AR

Analog Devices, Inc  
SOP16

### ADF4107BRUZ-REEL7

Analog Devices, Inc  
TSSOP16

### ADRF6780ACPZN

Analog Devices, Inc  
QFN

### AD8317ACPZ

Analog Devices, Inc  
LFCSP

### AD608ARZ

Analog Devices, Inc  
SOP16

### AD8318ACPZ-REEL7

Analog Devices, Inc  
LFCSP