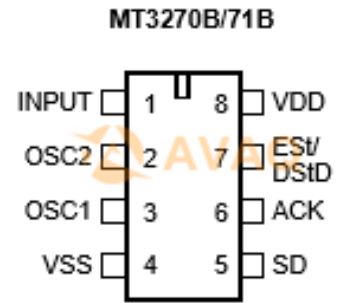


### DTMF RX 4.19MHz 5V 8-Pin PDIP Tube

<b>Manufacturer:</b>	Microchip Technology, Inc
<b>Package/Case:</b>	DIP8
<b>Product Type:</b>	Interface ICs
<b>Lifecycle:</b>	Unconfirmed



Images are for reference only

[Inquiry](#)

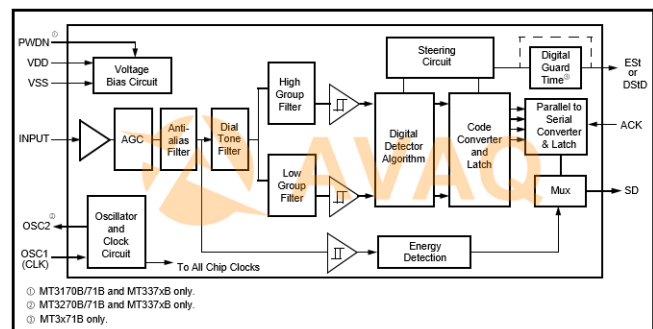
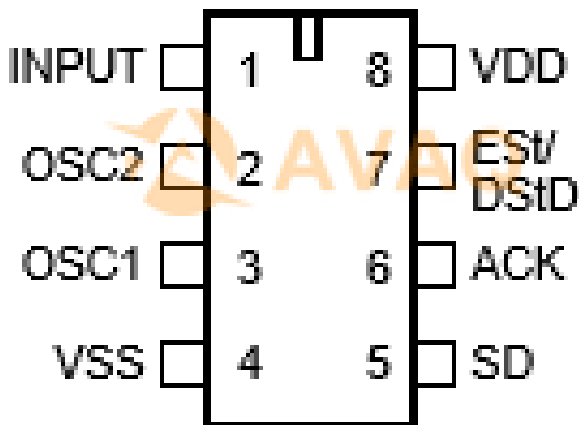
### General Description

Avaq Semiconductor offers the highly versatile and reliable MT3271BE driver, produced by Microchip Technology, Inc. With its multifunctional and high-performance capabilities, this component is an excellent choice for a wide range of electronic projects.

To ensure that you have all the necessary information to make the most of this component, Avaq provides a free datasheet PDF, as well as circuit diagrams, pin layouts, pin details, pin voltage ratings, and equivalent components for the MT3271BE.

Avaq also offers free samples. Simply fill out and submit the sample request form to receive your free samples for testing. If you have any questions, please feel free to contact us at ar

## MT3270B/71B



### Recommended For You

#### MI88L85AN

Microchip Technology, Inc  
SSOP24

#### MI88L85ANI

Microchip Technology, Inc  
SSOP

#### MI8870DS

Microchip Technology, Inc  
SOP

**MI8888CE**

Microchip Technology, Inc  
DIP20

**MI88L89AS**

Microchip Technology, Inc  
SOP20

**MI8888CS**

Microchip Technology, Inc  
SOP20

**MI8870DS1**

Microchip Technology, Inc  
SOP

**MI8889CE**

Microchip Technology, Inc  
DIP

**MI88L70AN**

Microchip Technology, Inc  
SSOP20

**MI8888CS1**

Microchip Technology, Inc  
SOP20

**MI88E43BSR1**

Microchip Technology, Inc  
SOP-24

**MI88L70AS1**

Microchip Technology, Inc  
SOP

**MI8870DE**

Microchip Technology, Inc  
DIP18

**MI3270BE**

Microchip Technology, Inc  
DIP8

**MI8880CPR**

Microchip Technology, Inc  
TapeCye