

Caller ID CMOS 3.58MHz 3.3V/5V 20-Pin SOIC Tube

Manufacturer:	Microchip Technology, Inc
Package/Case:	SOP20
Product Type:	Communication & Networking ICs



Images are for reference only

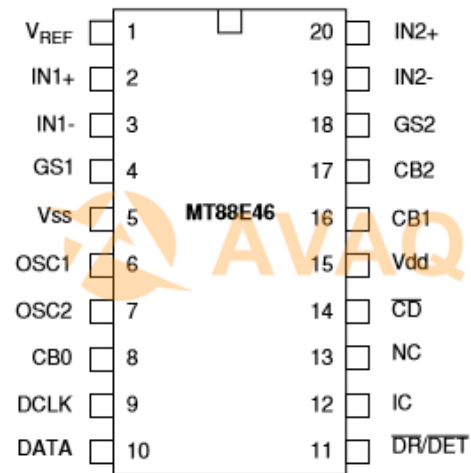
[Inquiry](#)

General Description

Avaq Semiconductor offers the highly versatile and reliable MT88E46AS driver, produced by Microchip Technology, Inc. With its multifunctional and high-performance capabilities, this component is an excellent choice for a wide range of electronic projects.

To ensure that you have all the necessary information to make the most of this component, Avaq provides a free datasheet PDF, as well as circuit diagrams, pin layouts, pin details, pin voltage ratings, and equivalent components for the MT88E46AS.

Avaq also offers free samples. Simply fill out and submit the sample request form to receive your free samples for testing. If you have any questions, please feel free to contact us at ar



Recommended For You

MI8816AE

Microchip Technology, Inc
DIP40

MI8980DE

Microchip Technology, Inc
DIP

LAN9215-MT

Microchip Technology, Inc
QFP100

LAN9118-MT

Microchip Technology, Inc
TQFP100

MI8980DP

Microchip Technology, Inc
PLCC44

MI88E39AS

Microchip Technology, Inc
SOP16

MI8841AS

Microchip Technology, Inc
SOP

MI8986AE

Microchip Technology, Inc
DIP40

MI8981DE

Microchip Technology, Inc
DIP

MI8809API

Microchip Technology, Inc
28-LCC

MI90812AL

Microchip Technology, Inc
QFP

MI9123API

Microchip Technology, Inc
PLCC

MI8985AP

Microchip Technology, Inc
PLCC44

MI90840AL

Microchip Technology, Inc
QFP

MI93L16AQ

Microchip Technology, Inc
SSOP