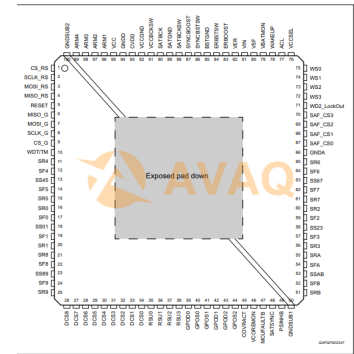


Automotive Advanced Airbag IC 5.5V to Automotive 100-Pin TQFP EP T/R

Manufacturer:	STMicroelectronics, Inc
Package/Case:	LQFP100
Product Type:	Power Management ICs
RoHS:	RoHS Compliant/Lead free
Lifecycle:	Active



Images are for reference only

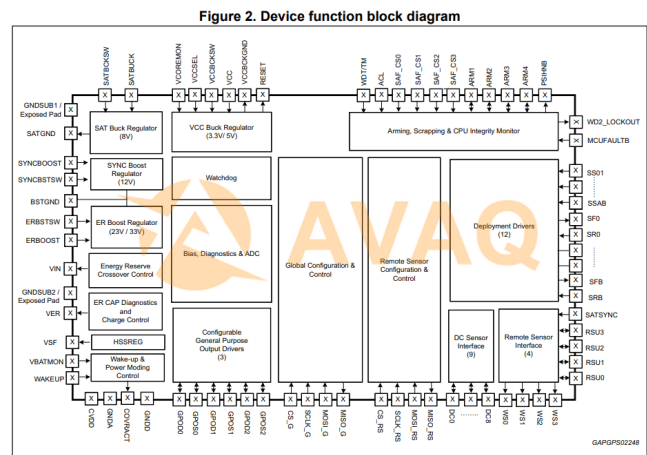
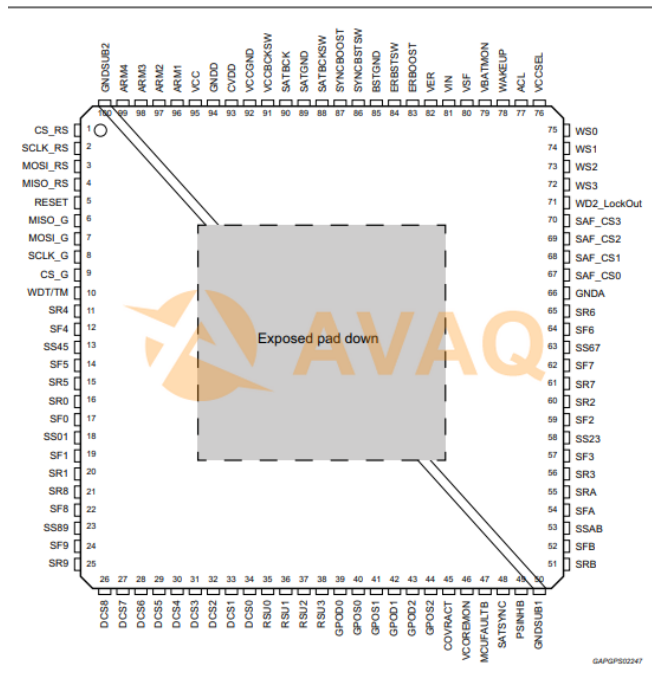
Inquiry

General Description

Avaq Semiconductor offers the highly versatile and reliable L9680TR driver, produced by STMicroelectronics, Inc. With its multifunctional and high-performance capabilities, this component is an excellent choice for a wide range of electronic projects.

To ensure that you have all the necessary information to make the most of this component, Avaq provides a free datasheet PDF, as well as circuit diagrams, pin layouts, pin details, pin voltage ratings, and equivalent components for the L9680TR.

Avaq also offers free samples. Simply fill out and submit the sample request form to receive your free samples for testing. If you have any questions, please feel free to contact us at ar



Recommended For You

L9651	L9678PTR
STMicroelectronics, Inc	STMicroelectronics, Inc
HSOP20	LQFP-64

L9904
STMicroelectronics, Inc
SOP20

L9822EPD

STMicroelectronics, Inc
HSOP20

L9951

STMicroelectronics, Inc
HSSOP36

L9949

STMicroelectronics, Inc
HSOP20

L9950

STMicroelectronics, Inc
HSSOP36

L9848

STMicroelectronics, Inc
SOP28

L9950XP

STMicroelectronics, Inc
SSOP36

L9952GXP

STMicroelectronics, Inc
SSOP36

L9733XP

STMicroelectronics, Inc
SSOP28

L9958SBTR

STMicroelectronics, Inc
SSOP16

L9651-TR

STMicroelectronics, Inc
HSOP20

L9374IRLF

STMicroelectronics, Inc
SSOP36

L9952GXPIR

STMicroelectronics, Inc
SSOP36