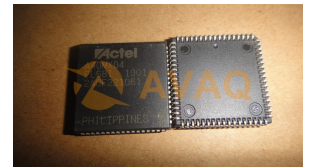


**FPGA 40MX Family 6K Gates 547 Cells 83MHz/139MHz 0.45um
Technology 3.3V/5V 68-Pin PLCC Box**



Images are for reference only

[Inquiry](#)

Manufacturer:	Microchip Technology, Inc
Package/Case:	PLCC68
Product Type:	Programmable Logic ICs
Lifecycle:	Obsolete

General Description

MX FPGAs offer designers a reliable, single-chip ASIC alternative. Providing an efficient, flexible 5.0 V architecture, MX is an ideal platform for integrating your legacy PLDs into a single, low-cost device. MX is a high-volume platform that enables solutions without compromising on cost and time.

Key Features

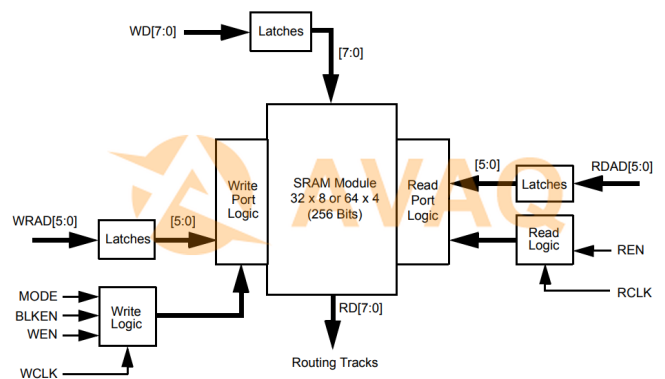
- 250 MHz Performance
- High-performance mixed-voltage solution
- PCI compliant
- Contains embedded dual-port SRAM modules

Key Features

6K system gates

1 Clock

Temperature - Commercial, Industrial, Automotive, Military



Recommended For You

A42MX16-FPLG84

Microchip Technology, Inc
PLCC

A42MX09-PLG84I

Microchip Technology, Inc
PLCC84

A40MX04-PLG84I

Microchip Technology, Inc
PLCC84

A40MX02-PL44I

Microchip Technology, Inc
PLCC44

A40MX04-PL68

Microchip Technology, Inc
PLCC

A40MX04-FPL68

Microchip Technology, Inc
PLCC68

A42MX16-PLG84

Microchip Technology, Inc
PLCC

APA450-PQG208I

Microchip Technology, Inc
QFP

A40MX04-PLG44I

Microchip Technology, Inc
PLCC44

A42MX09-PLG84

Microchip Technology, Inc
PLCC84

A42MX16-VQG100I

Microchip Technology, Inc
QFP100

A40MX02-PQG100M

Microchip Technology, Inc
PQFP-100

A42MX16-FPQG100

Microchip Technology, Inc
QFP100

A42MX09-PL84I

Microchip Technology, Inc
PLCC84

A40MX04-PLG44

Microchip Technology, Inc
PLCC44