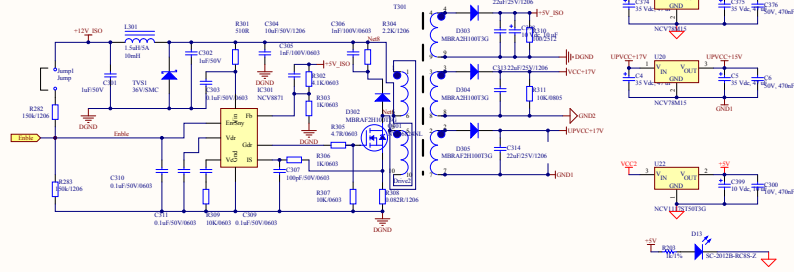
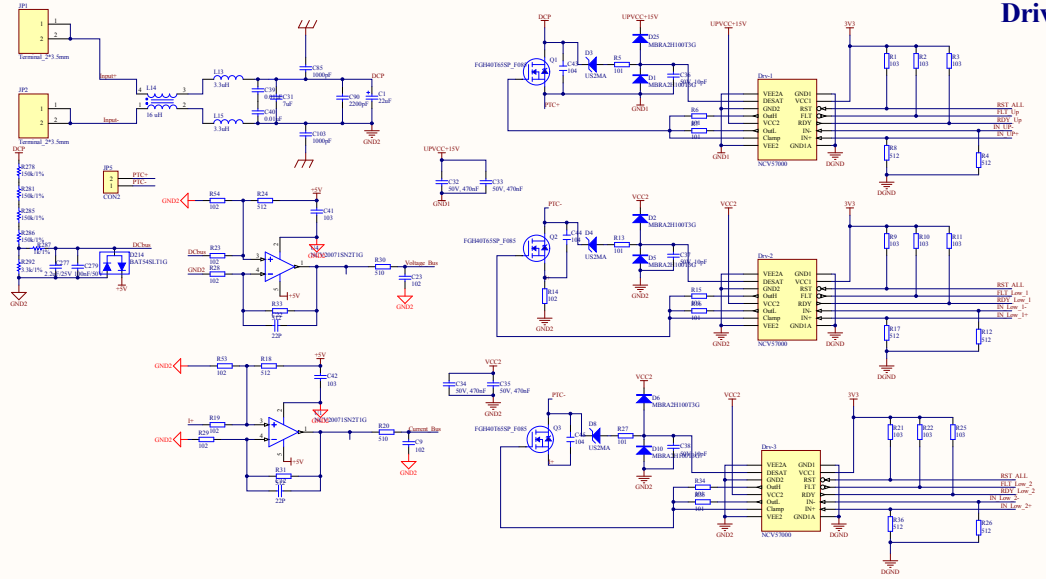


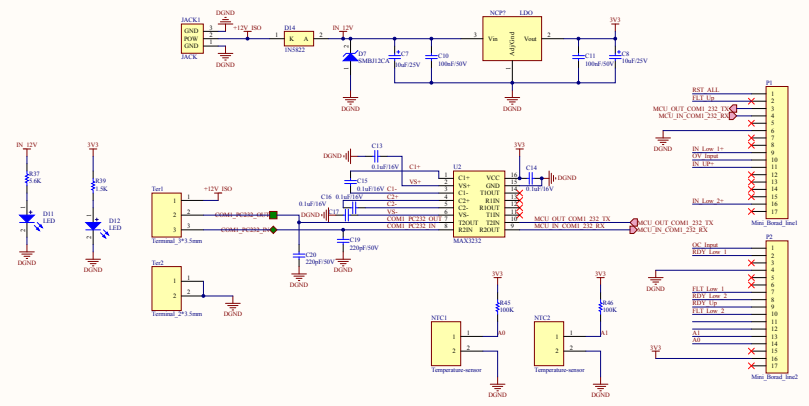
## Switch Power



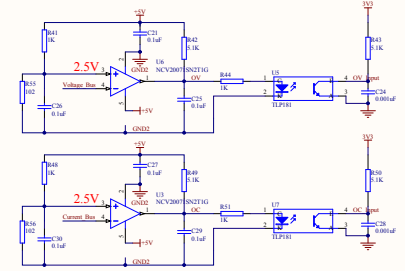
## Driver



## Control



## CAN Interface



Title			
Size	Number	Revision	
A1			
File	01010001.dwg	Sheet of	
Proj	01010001 - V1.00	Drawn By	