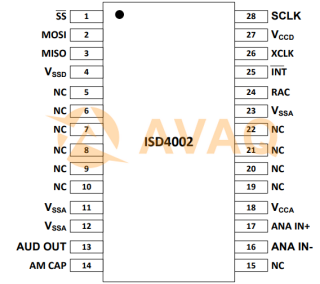


## 120s Voice Record and Playback 28-Pin TSOP-I

<b>Manufacturer:</b>	Nuvoton Technology Corporation
<b>Package/Case:</b>	TSSOP28
<b>Product Type:</b>	Drivers
<b>RoHS:</b>	RoHS Compliant/Lead free
<b>Lifecycle:</b>	Obsolete



Images are for reference only

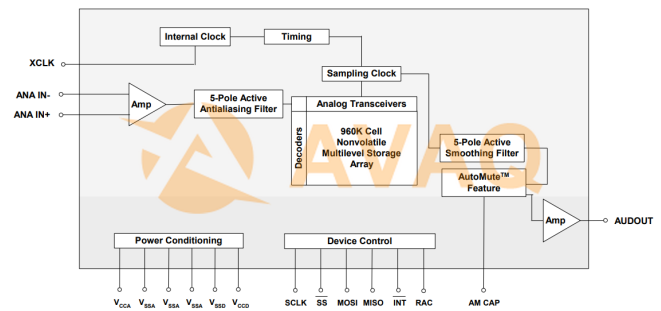
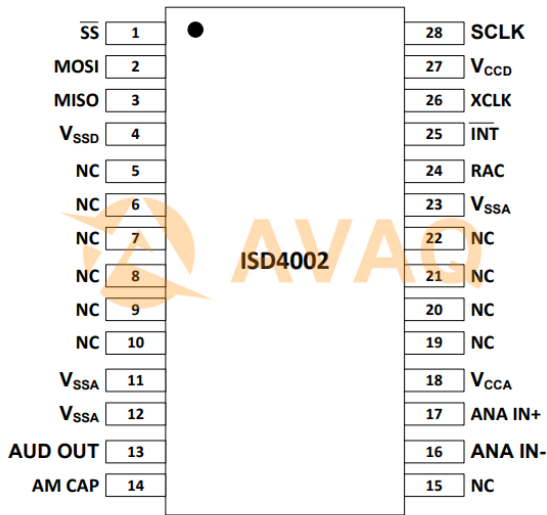
Inquiry

### General Description

Avaq Semiconductor offers the highly versatile and reliable ISD4002-120EYI driver, produced by Nuvoton Technology Corporation. With its multifunctional and high-performance capabilities, this component is an excellent choice for a wide range of electronic projects.

To ensure that you have all the necessary information to make the most of this component, Avaq provides a free datasheet PDF, as well as circuit diagrams, pin layouts, pin details, pin voltage ratings, and equivalent components for the ISD4002-120EYI.

Avaq also offers free samples. Simply fill out and submit the sample request form to receive your free samples for testing. If you have any questions, please feel free to contact us at ar



### Recommended For You

#### ISD1420P

Nuvoton Technology Corporation  
DIP

#### ISD4004-16MS

Nuvoton Technology Corporation  
SOP28

#### ISD2532P

Nuvoton Technology Corporation  
DIP

**ISD1760PY**

Nuvoton Technology Corporation

DIP28

**ISD1416P**

Nuvoton Technology Corporation

DIP28

**ISD2560P**

Nuvoton Technology Corporation

DIP28

**ISD3900FYI**

Nuvoton Technology Corporation

LQFP48

**ISD4002-120SY**

Nuvoton Technology Corporation

SOP28

**ISD1620BSY**

Nuvoton Technology Corporation

SOP16

**ISD17120SY**

Nuvoton Technology Corporation

SOP28

**ISD1760SY**

Nuvoton Technology Corporation

SOP28

**ISD1420S**

Nuvoton Technology Corporation

SOP28

**ISD25120P**

Nuvoton Technology Corporation

DIP28

**ISD1730SY**

Nuvoton Technology Corporation

SOP28

**ISD1730PY**

Nuvoton Technology Corporation

DIP28