

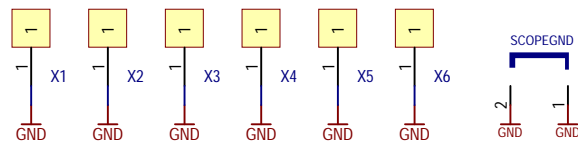
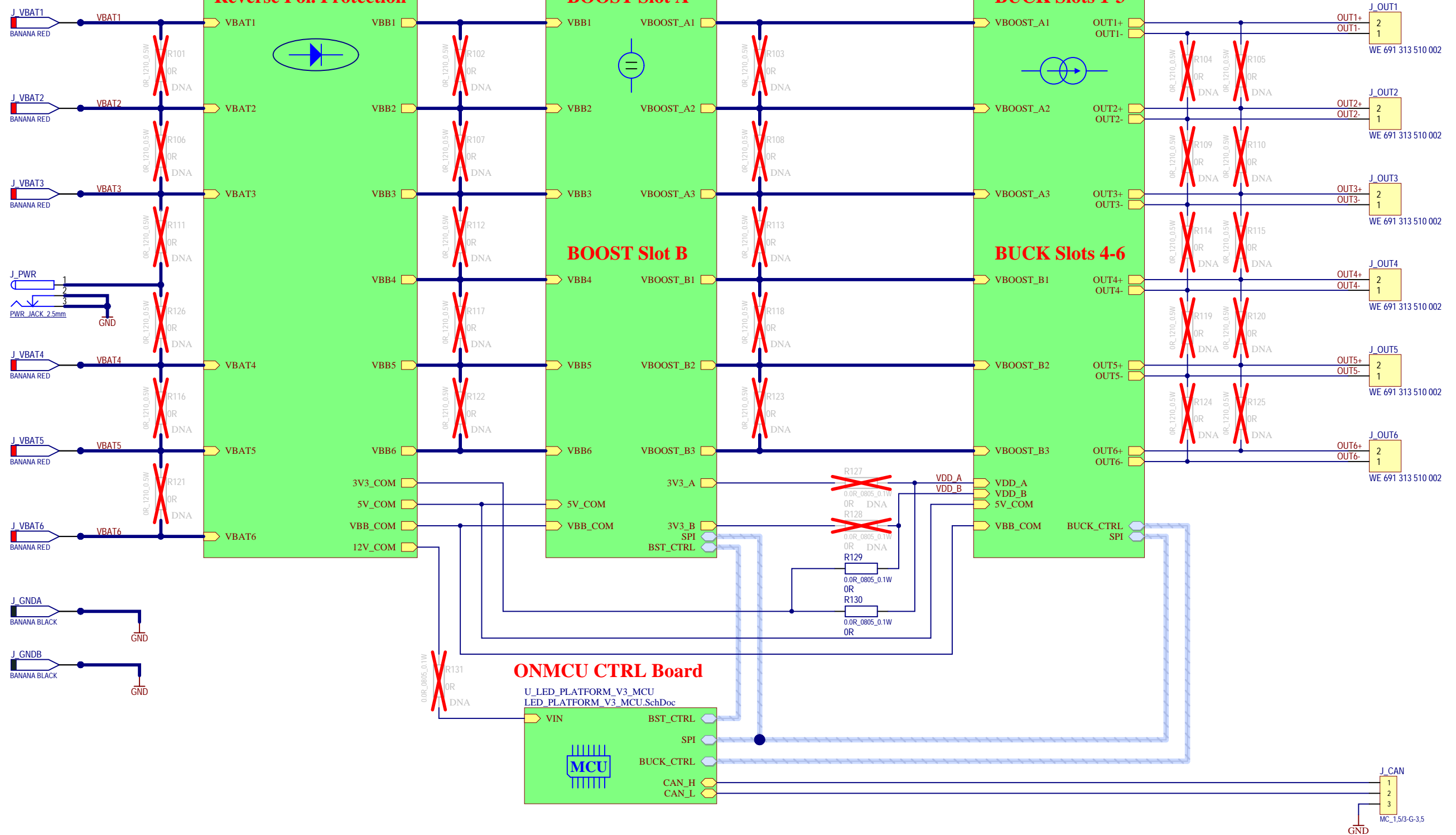
LED PLATFORM EVALUATION KIT

Operating Voltage Range: 6V - 40V

U_LED_PLATFORM_V3_Protection
LED_PLATFORM_V3_Protection.SchDoc

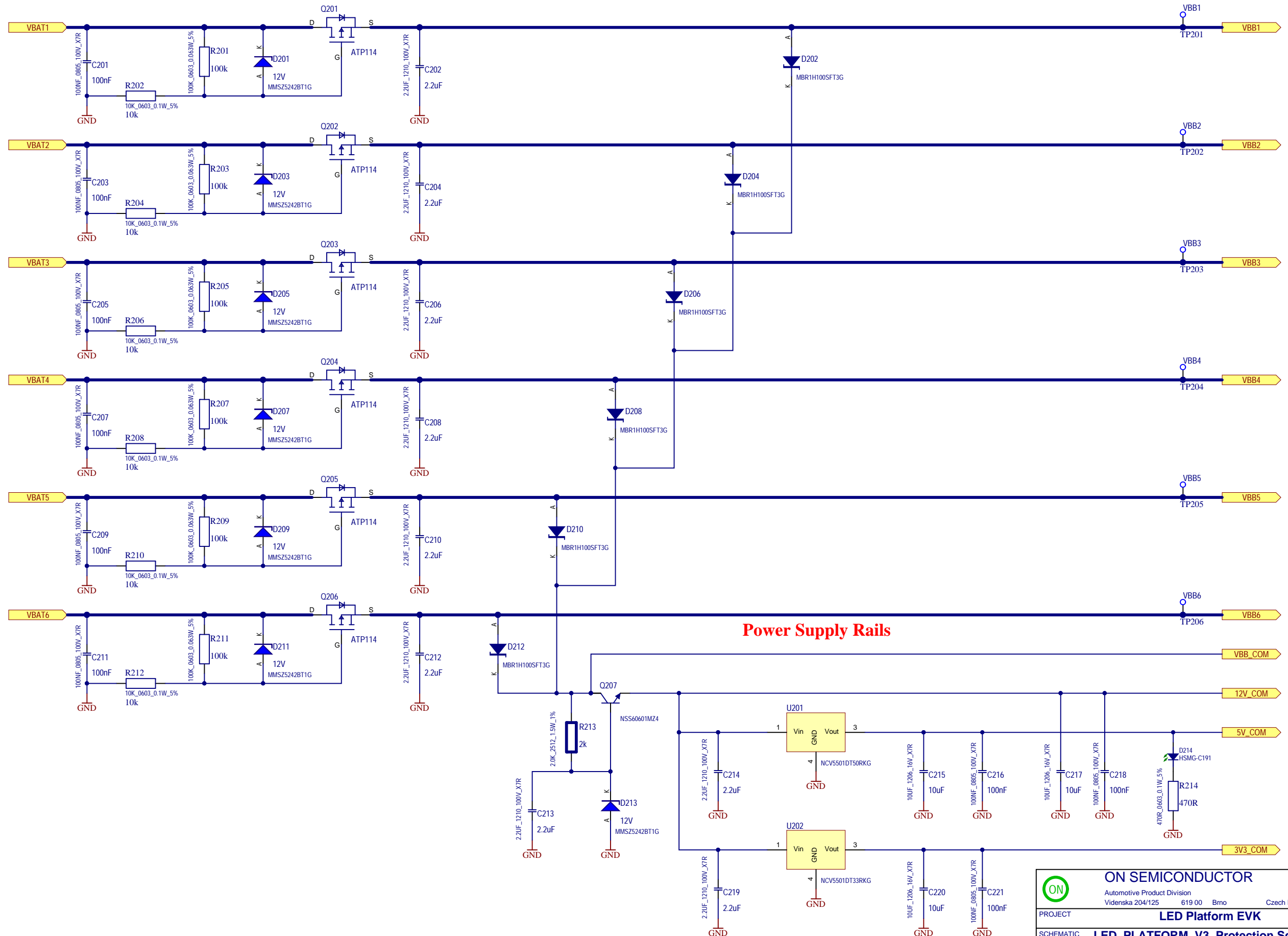
U_LED_PLATFORM_V3_Boost
LED_PLATFORM_V3_Boost.SchDoc

U_LED_PLATFORM_V3_Buck
LED_PLATFORM_V3_Buck.SchDoc



				ON SEMICONDUCTOR	
Automotive Product Division				Videnska 204/125 619 00 Brno Czech Republic	
PROJECT				LED Platform EVK	
SCHEMATIC				LED_PLATFORM_V3_Top.SchDoc	
CUSTOMER		ON Semiconductor		AUTHOR Jiri DANIEL	
Size	REV.	SHEET No.	TOTAL SHEETS	TIMESTAMP	
A3	A	1	5	1/29/2018 7:01:45 PM	

BATTERY REVERSE POLARITY PROTECTION



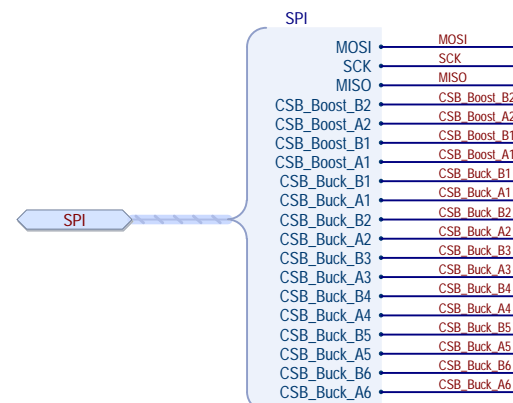
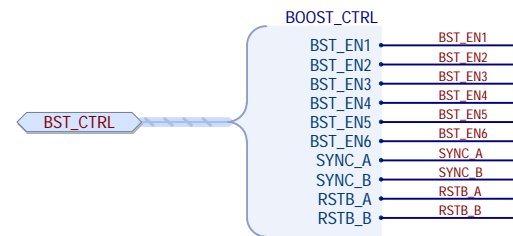
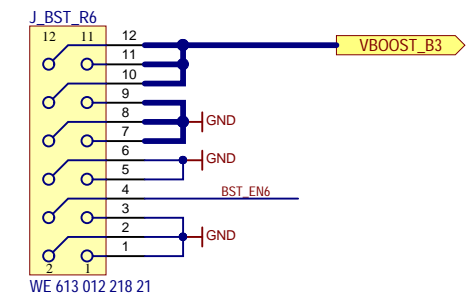
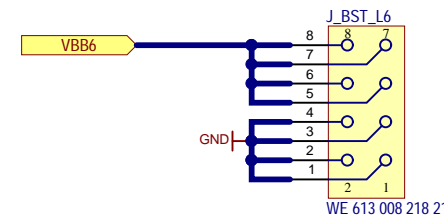
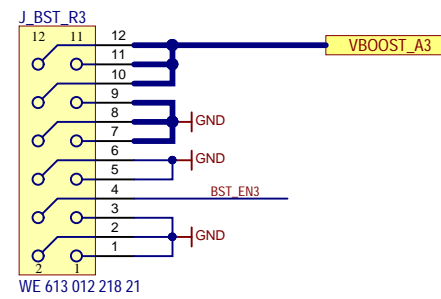
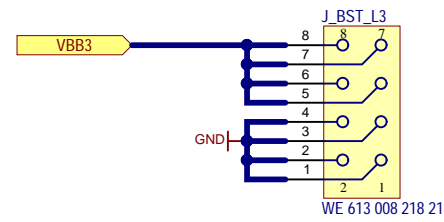
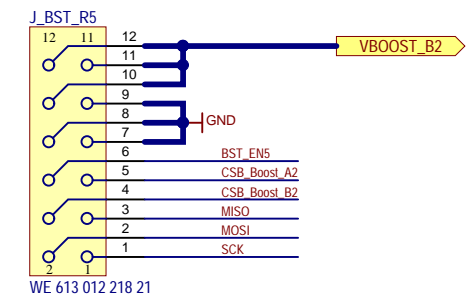
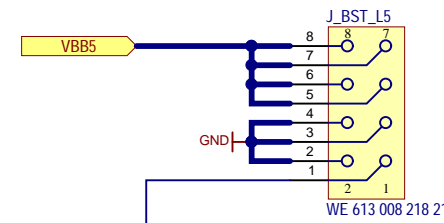
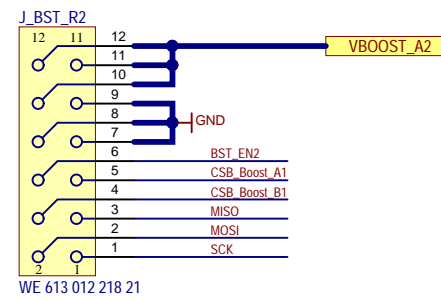
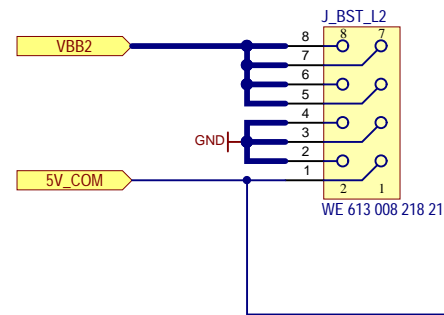
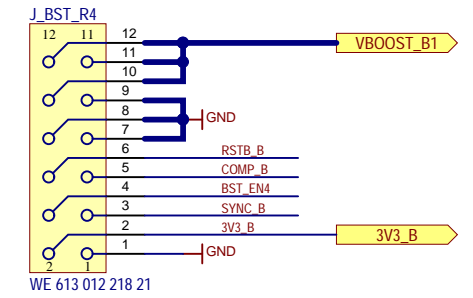
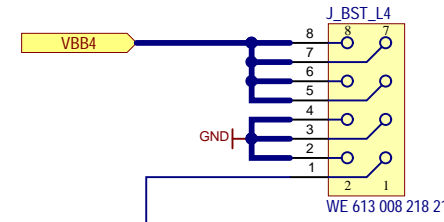
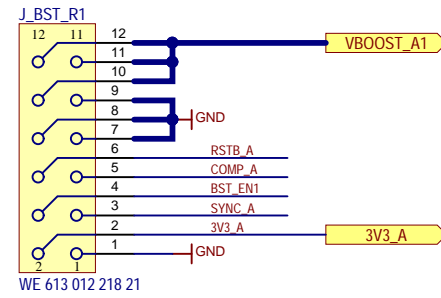
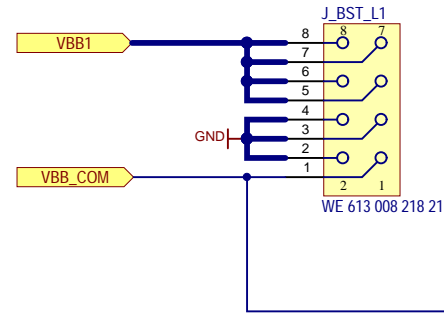
Power Supply Rails

ON SEMICONDUCTOR			
Automotive Product Division Videnska 204/125 619 00 Brno Czech Republic			
PROJECT		LED Platform EVK	
SCHEMATIC LED_PLATFORM_V3_Protection.SchDoc			
CUSTOMER		ON Semiconductor	AUTHOR
			Jiri DANIEL
Size	REV.	SHEET No.	TOTAL SHEETS
A3	A	2	5
TIMESTAMP			
1/29/2018		7:01:46 PM	

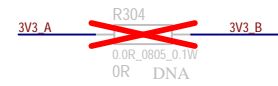
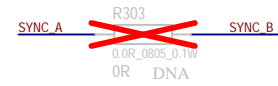
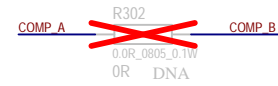
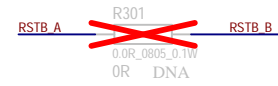
BOOSTER SLOTS

SLOT A

SLOT B

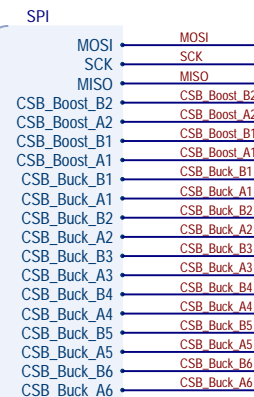
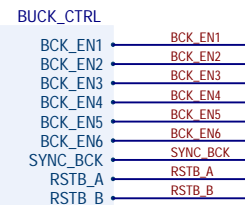
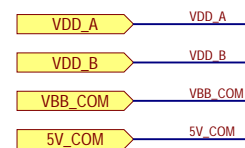
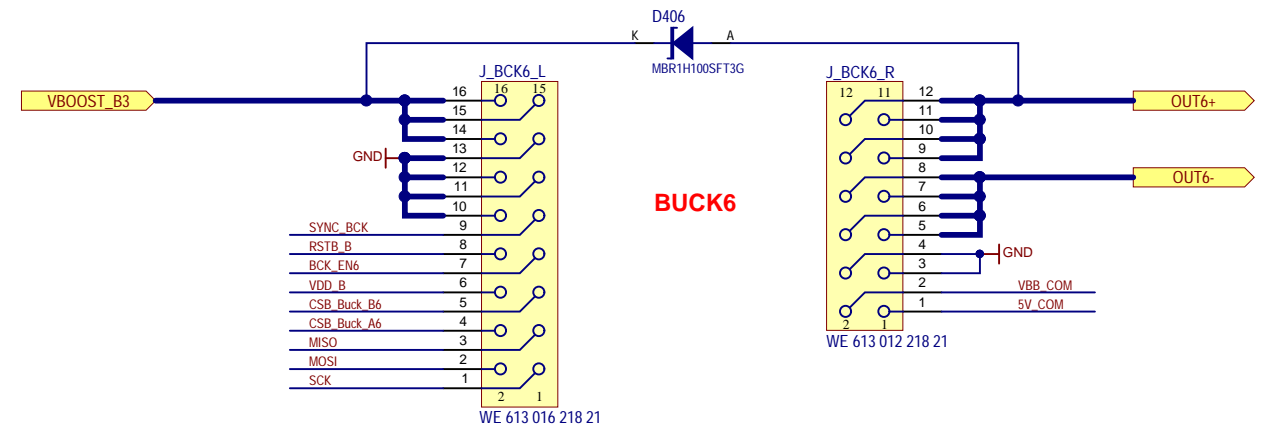
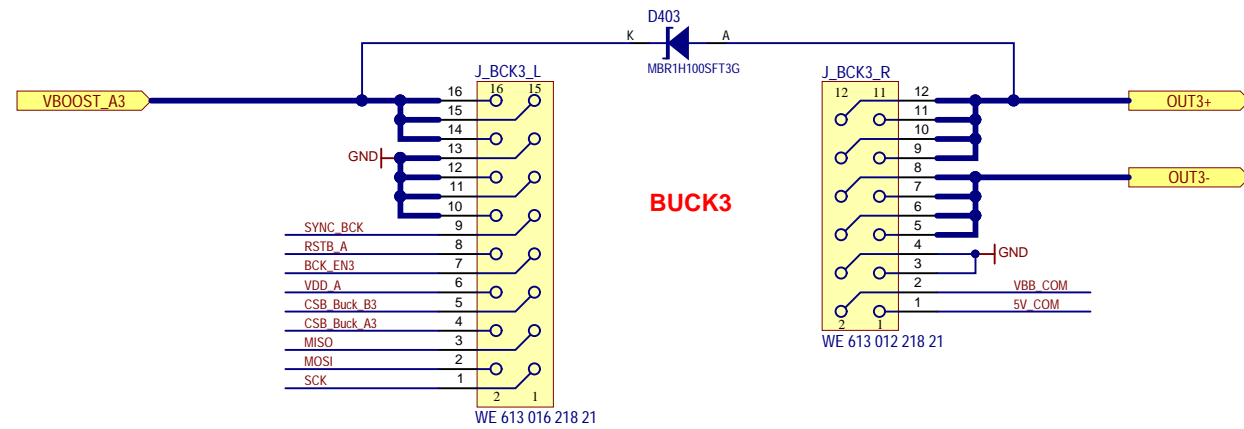
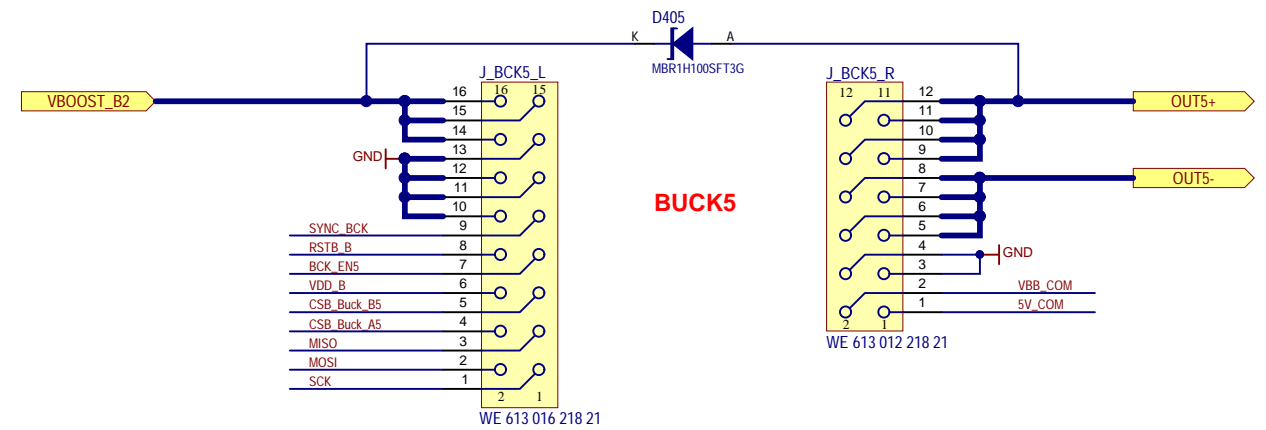
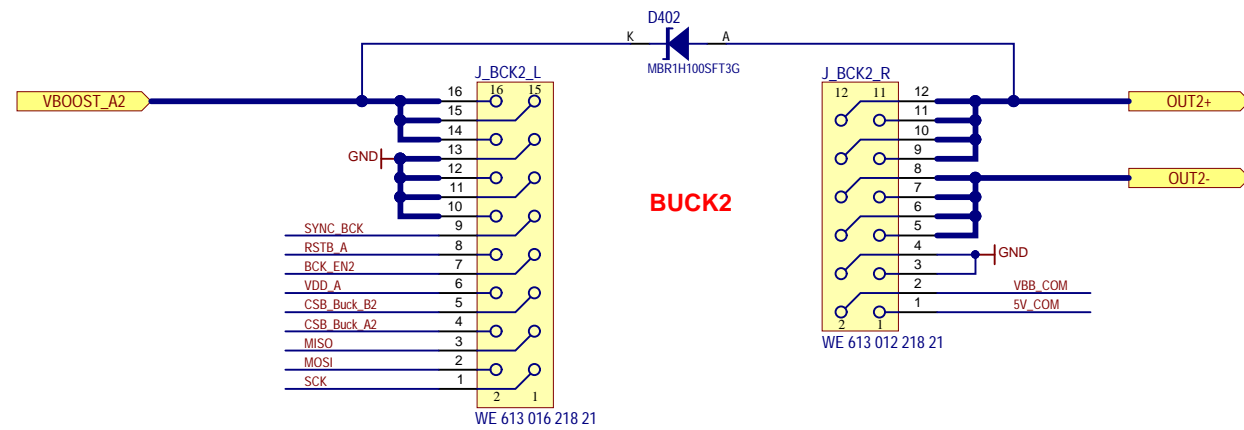
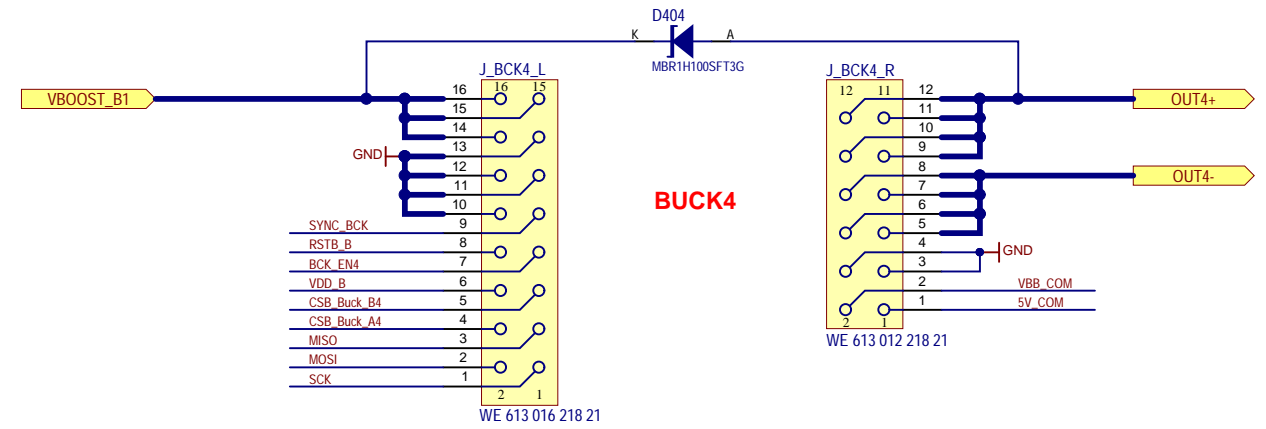
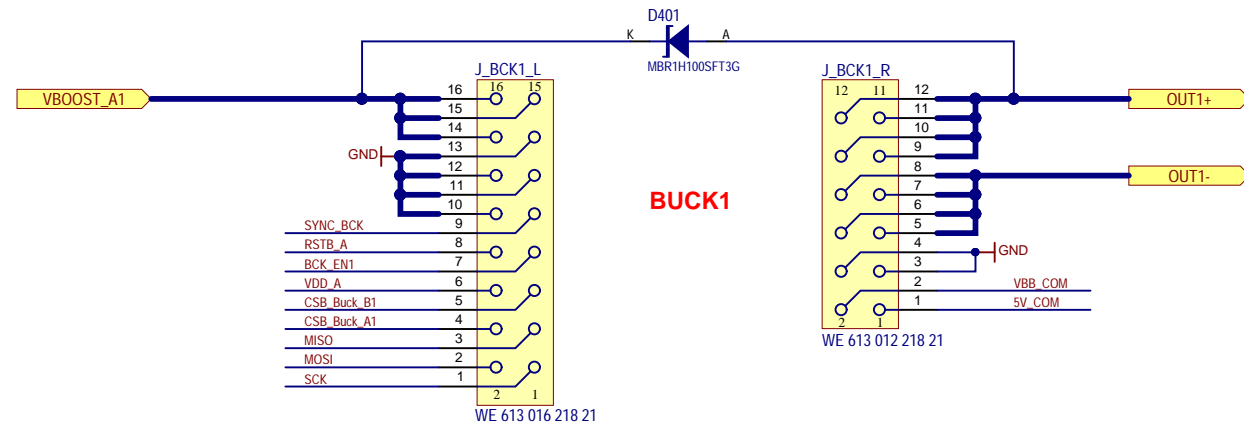


Shorts between slots



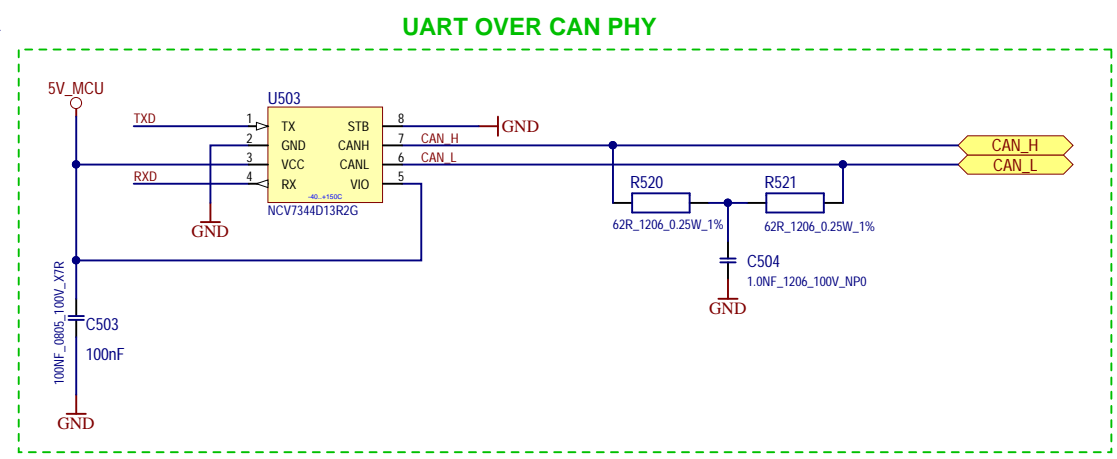
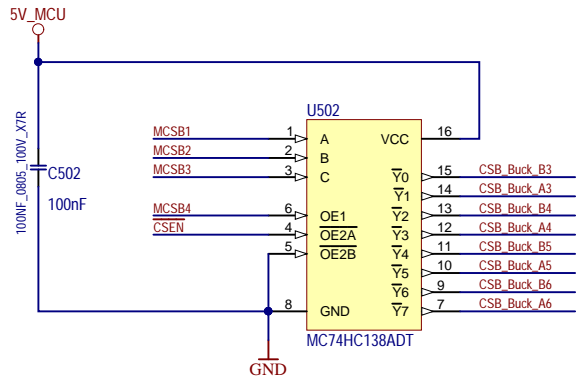
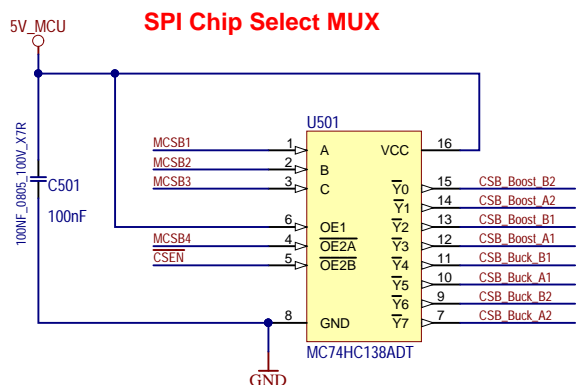
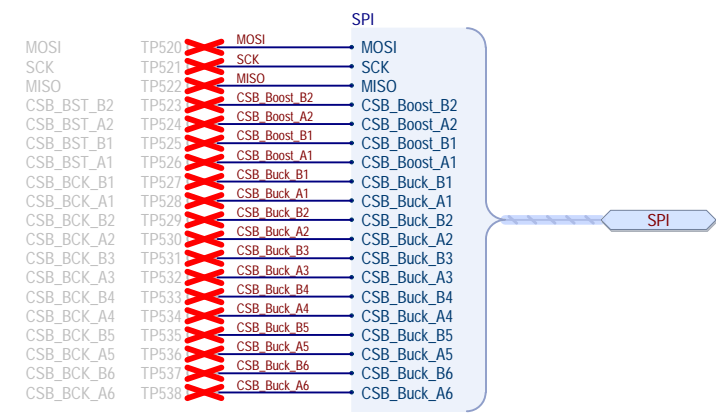
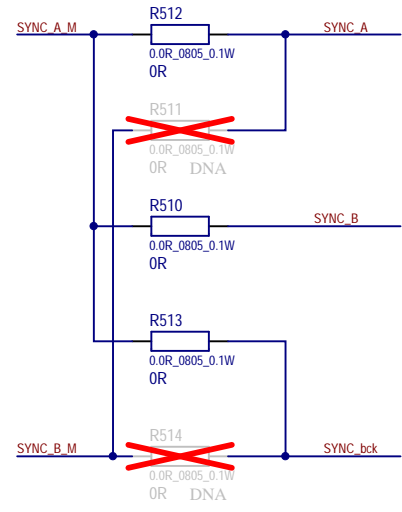
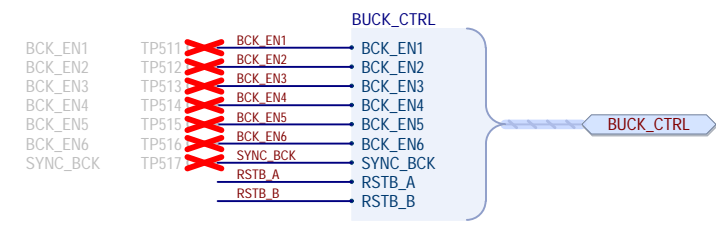
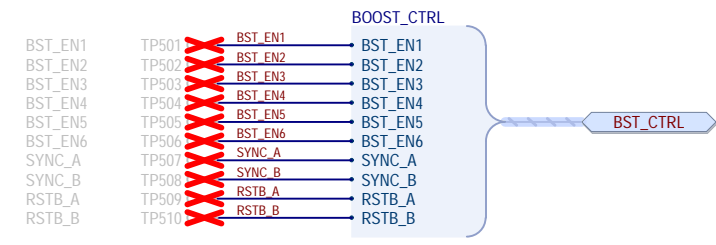
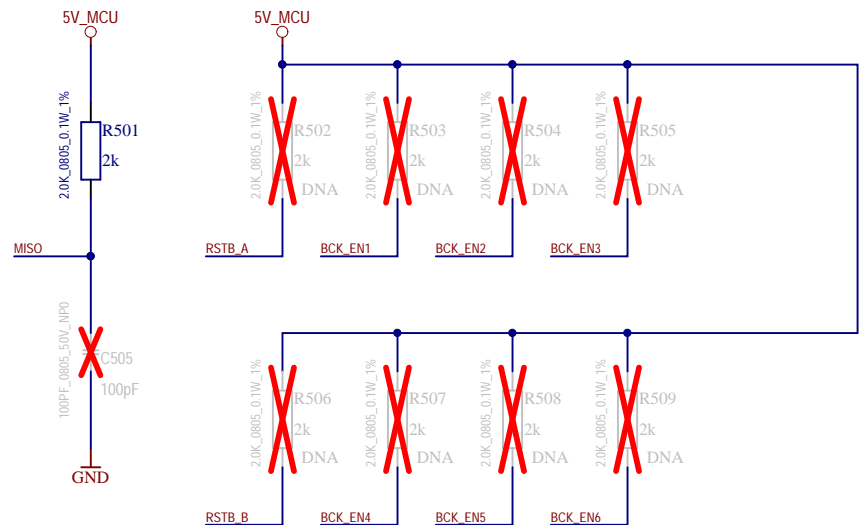
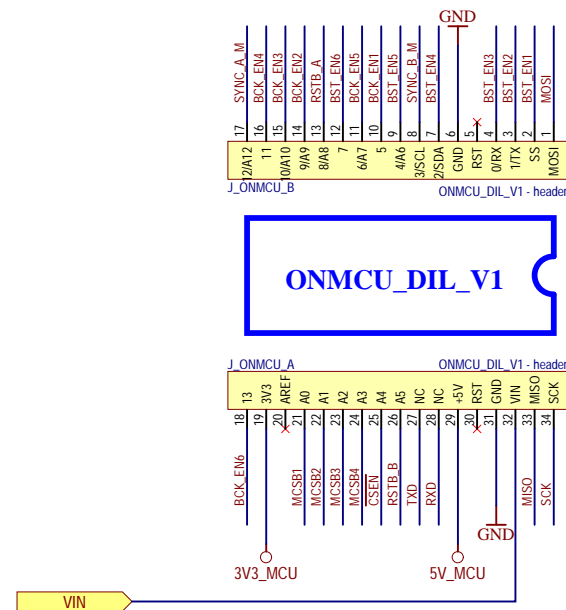
		ON SEMICONDUCTOR Automotive Product Division Videnska 204/125 619 00 Brno Czech Republic	
		PROJECT	LED Platform EVK
SHEET No.		TOTAL SHEETS	
3		5	
CUSTOMER		AUTHOR	
ON Semiconductor		Jiri DANIEL	
Size	REV.	SHEET No.	TIMESTAMP
A3	A	3	1/29/2018 7:01:47 PM

BUCK SLOTS



		ON SEMICONDUCTOR	
Automotive Product Division		Vednska 204/125 619 00 Brno Czech Republic	
PROJECT		LED Platform EVK	
SCHEMATIC		LED_PLATFORM_V3_Buck.SchDoc	
CUSTOMER		ON Semiconductor	AUTHOR Jiri DANIEL
Size A3	REV. A	SHEET No. 4	TOTAL SHEETS 5
TIMESTAMP		1/29/2018 7:01:47 PM	

ONMCU CONTROL BOARD COMMUNICATION



ON SEMICONDUCTOR			
Automotive Product Division Videnska 204/125 619 00 Brno Czech Republic			
PROJECT LED Platform EVK			
SCHEMATIC LED_PLATFORM_V3_MCU.SchDoc			
CUSTOMER ON Semiconductor		AUTHOR Jiri DANIEL	
Size A3	REV. A	SHEET No. 5	TOTAL SHEETS 5
TIMESTAMP 1/29/2018 7:01:48 PM			