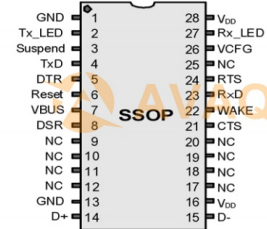


USB-to-UART 1-CH 64byte FIFO 3.3V/5V 28-Pin SSOP Tube

| | |
|----------------------|-----------------------------------|
| Manufacturer: | Infineon Technologies Corporation |
| Package/Case: | SSOP |
| Product Type: | Drivers |
| RoHS: | RoHS Compliant/Lead free |
| Lifecycle: | Active |

Figure 1. 28-pin SSOP USB-UART Bridge Device



Images are for reference only

[Inquiry](#)

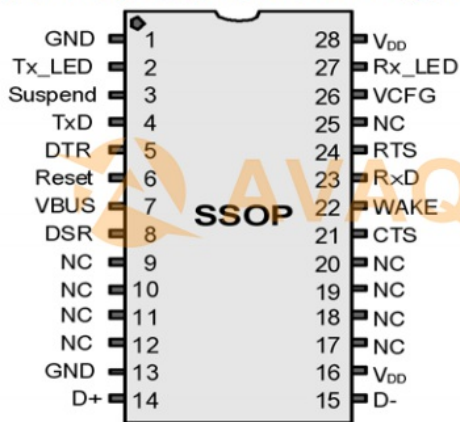
General Description

Avaq Semiconductor offers the highly versatile and reliable CY7C64225-28PVXC driver, produced by Infineon Technologies Corporation. With its multifunctional and high-performance capabilities, this component is an excellent choice for a wide range of electronic projects.

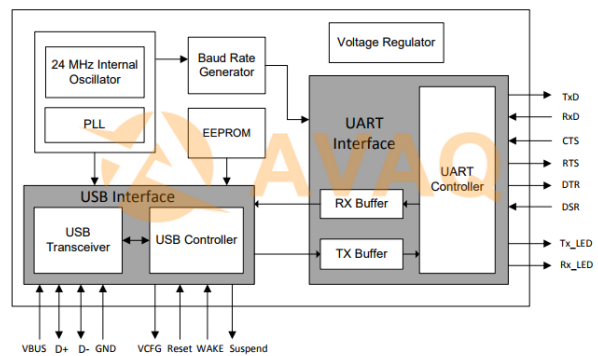
To ensure that you have all the necessary information to make the most of this component, Avaq provides a free datasheet PDF, as well as circuit diagrams, pin layouts, pin details, pin voltage ratings, and equivalent components for the CY7C64225-28PVXC.

Avaq also offers free samples. Simply fill out and submit the sample request form to receive your free samples for testing. If you have any questions, please feel free to contact us at ar

Figure 1. 28-pin SSOP USB-UART Bridge Device



Block Diagram



Recommended For You

CY7C63723C-SXC

Infineon Technologies Corporation
SOP18

CY7C9689A-AXC

Infineon Technologies Corporation
QFP100

CY7C68300C-56PVXC

Infineon Technologies Corporation
SSOP56

CY7C67200-48BAXI

Infineon Technologies Corporation
BGA

CY7C68013A-100AXC

Infineon Technologies Corporation
QFP100

CY7C68013A-56PVXC

Infineon Technologies Corporation
SSOP56

CY7C68001-56LIXC

Infineon Technologies Corporation

QFN

CY7C68013A-56PVXI

Infineon Technologies Corporation

SSOP56

CY7C68013A-100AXI

Infineon Technologies Corporation

TQFP100

CY7C68013A-56BAXC

Infineon Technologies Corporation

BGA-56

CY7C68013A-128AXC

Infineon Technologies Corporation

TQFP-128

CY7C68013A-128AXI

Infineon Technologies Corporation

QFP

CYUSB3065-BZXI

Infineon Technologies Corporation

BGA

CYUSB2014-BZXC

Infineon Technologies Corporation

BGA

CY7C63813-PXC

Infineon Technologies Corporation

DIP-18L